

IMPORTANT:
Read Before Using

IMPORTANT :
Lire avant usage

IMPORTANTE:
Leer antes de usar



Operating/Safety Instructions
Consignes de fonctionnement/sécurité
Instrucciones de funcionamiento y seguridad

1617
1617EVS
1617PK
1617EVSPK
1618
1618EVS
0 601 617 061



BOSCH

Call Toll Free
for Consumer Information
& Service Locations

Pour renseignement des
consommateurs et centres
de service, appelez au
numéro gratuit :

Llame gratis para
obtener información
para el consumidor y
ubicaciones de servicio

1-877-BOSCH99 (1-877-267-2499) www.boschtools.com

For English
See page 2

Parlez-vous français?
Voir page 23

¿Habla español?
Ver página 44

Power Tool Safety Rules

⚠ WARNING Read and understand all instructions. Failure to follow all instructions listed below, may result in electric shock, fire and/or serious personal injury.

SAVE THESE INSTRUCTIONS


Work Area

Keep your work area clean and well lit. Cluttered benches and dark areas invite accidents.

Do not operate power tools in explosive atmospheres, such as in the presence of flammable liquids, gases, or dust. Power tools create sparks which may ignite the dust or fumes.

Keep by-standers, children, and visitors away while operating a power tool. Distractions can cause you to lose control.

Electrical Safety

Double Insulated tools are equipped with a polarized plug (one blade is wider than the other.) This plug will fit in a polarized outlet only one way. If the plug does not fit fully in the outlet, reverse the plug. If it still does not fit, contact a qualified electrician to install a polarized outlet. Do not change the plug in any way. Double Insulation  eliminates the need for the three wire grounded power cord and grounded power supply system. *Before plugging in the tool, be certain the outlet voltage supplied is within the voltage marked on the nameplate. Do not use "AC only" rated tools with a DC power supply.*

Avoid body contact with grounded surfaces such as pipes, radiators, ranges and refrigerators. There is an increased risk of electric shock if your body is grounded. If operating the power tool in damp locations is unavoidable, a Ground Fault Circuit Interrupter must be used to supply the power to your tool. Electrician's rubber gloves and footwear will further enhance your personal safety.

Don't expose power tools to rain or wet conditions. Water entering a power tool will increase the risk of electric shock.

Do not abuse the cord. Never use the cord to carry the tools or pull the plug from an outlet. Keep cord away from heat, oil, sharp edges or moving parts. Replace damaged cords immediately. Damaged cords increase the risk of electric shock.

When operating a power tool outside, use an outdoor extension cord marked "W-A" or "W." These cords are rated for outdoor use and reduce the risk of electric shock. Refer to "Recommended sizes of Extension Cords" in the Accessory section of this manual.

Personal Safety

Stay alert, watch what you are doing and use common sense when operating a power tool. Do not use tool while tired or under the influence of drugs, alcohol, or medication. A moment of inattention while operating power tools may result in serious personal injury.

Dress properly. Do not wear loose clothing or jewelry. Contain long hair. Keep your hair, clothing, and gloves away from moving parts. Loose clothes, jewelry, or long hair can be caught in moving parts. Keep handles dry, clean and free from oil and grease.

Avoid accidental starting. Be sure switch is "OFF" before plugging in. Carrying tools with your finger on the switch or plugging in tools that have the switch "ON" invites accidents.

Remove adjusting keys or wrenches before turning the tool "ON". A wrench or a key that is left attached to a rotating part of the tool may result in personal injury.

Do not overreach. Keep proper footing and balance at all times. Proper footing and balance enables better control of the tool in unexpected situations.

Use safety equipment. Always wear eye protection. Dust mask, non-skid safety shoes, hard hat, or hearing protection must be used for appropriate conditions.

Tool Use and Care

Use clamps or other practical way to secure and support the workpiece to a stable platform. Holding the work by hand or against your body is unstable and may lead to loss of control.

Do not force tool. Use the correct tool for your application. The correct tool will do the job better and safer at the rate for which it is designed.

Do not use tool if switch does not turn it "ON" or "OFF". Any tool that cannot be controlled with the switch is dangerous and must be repaired.

Disconnect the plug from the power source before making any adjustments, changing accessories, or storing the tool. Such preventive safety measures reduce the risk of starting the tool accidentally.

Store idle tools out of reach of children and other untrained persons. Tools are dangerous in the hands of untrained users.

Maintain tools with care. Keep cutting tools sharp and clean. Properly maintained tools, with sharp cutting edges are less likely to bind and are easier to control. Any alteration or modification is a misuse and may result in a dangerous condition.

Check for misalignment or binding of moving parts, breakage of parts, and any other condition that may affect the tools operation. If damaged, have the tool

serviced before using. Many accidents are caused by poorly maintained tools. Develop a periodic maintenance schedule for your tool.

Use only accessories that are recommended by the manufacturer for your model. Accessories that may be suitable for one tool, may become hazardous when used on another tool.

Service

Tool service must be performed only by qualified repair personnel. Service or maintenance performed by unqualified personnel could result in a risk of injury. For example: internal wires may be misplaced or pinched, safety guard return springs may be improperly mounted.

When servicing a tool, use only identical replacement parts. Follow instructions in the Maintenance section of this manual. Use of unauthorized parts or failure to follow Maintenance Instructions may create a risk of electric shock or injury. Certain cleaning agents such as gasoline, carbon tetrachloride, ammonia, etc. may damage plastic parts.

Safety Rules for Routers

Hold tool by insulated gripping surfaces when performing an operation where the cutting tool may contact hidden wiring or its own cord. Contact with a "live" wire will make exposed metal parts of the tool "live" and shock the operator. *If cutting into existing walls or other blind areas where electrical wiring may exist is unavoidable, disconnect all fuses or circuit breakers feeding this worksite.*

Always make sure the work surface is free from nails and other foreign objects. Cutting into a nail can cause the bit and the tool to jump and damage the bit.

Never hold the workpiece in one hand and the tool in the other hand when in use. Never place hands near or below cutting surface. Clamping the material and guiding the tool with both hands is safer.

Never lay workpiece on top of hard surfaces, like concrete, stone, etc... Protruding cutting bit may cause tool to jump.

Always wear safety goggles and dust mask. Use only in well ventilated area. Using personal safety devices and working in safe environment reduces risk of injury.

After changing the bits or making any adjustments, make sure the collet nut and any other adjustment devices are securely tightened. Loose adjustment device can unexpectedly shift, causing loss of control, loose rotating components will be violently thrown.

Never start the tool when the bit is engaged in the material. The bit cutting edge may grab the material causing loss of control of the cutter.

Always hold the tool with two hands during start-up. The reaction torque of the motor can cause the tool to twist.

The direction of feeding the bit into the material is very important and it relates to the direction of bit rotation. When viewing

the tool from the top, the bit rotates clockwise. Feed direction of cutting must be counter-clockwise. NOTE: inside and outside cuts will require different feed direction, refer to section on feeding the router. Feeding the tool in the wrong direction, causes the cutting edge of the bit to climb out of the work and pull the tool in the direction of this feed.

Never use dull or damaged bits. Sharp bits must be handled with care. Damaged bits can snap during use. Dull bits require more force to push the tool, possibly causing the bit to break.

Never touch the bit during or immediately after the use. After use the bit is too hot to be touched by bare hands.

Never lay the tool down until the motor has come to a complete standstill. The spinning bit can grab the surface and pull the tool out of your control.

Never use bits that have a cutting diameter greater than the opening in the base.


⚠ WARNING Some dust created by power sanding, sawing, grinding, drilling, and other construction activities contains chemicals known to cause cancer, birth defects or other reproductive harm. Some examples of these chemicals are:

- Lead from lead-based paints,
- Crystalline silica from bricks and cement and other masonry products, and
- Arsenic and chromium from chemically-treated lumber.

Your risk from these exposures varies, depending on how often you do this type of work. To reduce your exposure to these chemicals: work in a well ventilated area, and work with approved safety equipment, such as those dust masks that are specially designed to filter out microscopic particles.

Symbols

IMPORTANT: Some of the following symbols may be used on your tool. Please study them and learn their meaning. Proper interpretation of these symbols will allow you to operate the tool better and safer.

Symbol	Name	Designation/Explanation
V	Volts	Voltage (potential)
A	Amperes	Current
Hz	Hertz	Frequency (cycles per second)
W	Watt	Power
kg	Kilograms	Weight
min	Minutes	Time
s	Seconds	Time
∅	Diameter	Size of drill bits, grinding wheels, etc.
n ₀	No load speed	Rotational speed, at no load
.../min	Revolutions or reciprocation per minute	Revolutions, strokes, surface speed, orbits etc. per minute
0	Off position	Zero speed, zero torque...
1, 2, 3, ... I, II, III,	Selector settings	Speed, torque or position settings. Higher number means greater speed
0 ▲	Infinitely variable selector with off	Speed is increasing from 0 setting
→	Arrow	Action in the direction of arrow
~	Alternating current	Type or a characteristic of current
≡	Direct current	Type or a characteristic of current
~	Alternating or direct current	Type or a characteristic of current
□	Class II construction	Designates Double Insulated Construction tools.
⊕	Earthing terminal	Grounding terminal
⚠	Warning symbol	Alerts user to warning messages
	Ni-Cad RBRC seal	Designates Ni-Cad battery recycling program



This symbol designates that this tool is listed by Underwriters Laboratories.



This symbol designates that this tool is listed to Canadian Standards by Underwriters Laboratories.



This symbol designates that this tool complies to NOM Mexican Standards.



This symbol designates that this tool is listed by the Canadian Standards Association.



This symbol designates that this tool is listed by Underwriters Laboratories, and listed to Canadian Standards by Underwriters Laboratories.

Functional Description and Specifications

⚠ WARNING Disconnect the plug from the power source before making any assembly, adjustments or changing accessories. Such preventive safety measures reduce the risk of starting the tool accidentally.

Routers

FIG. 1

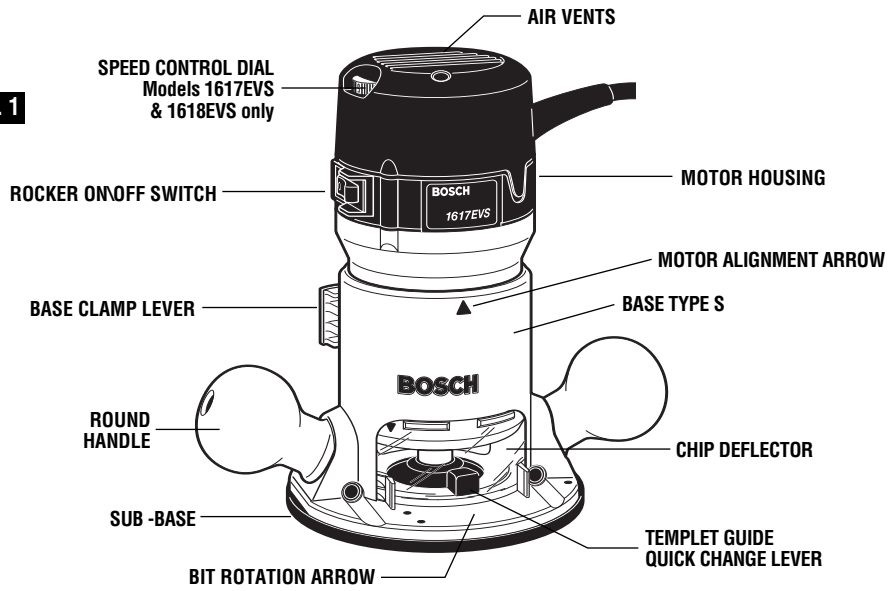


FIG. 2

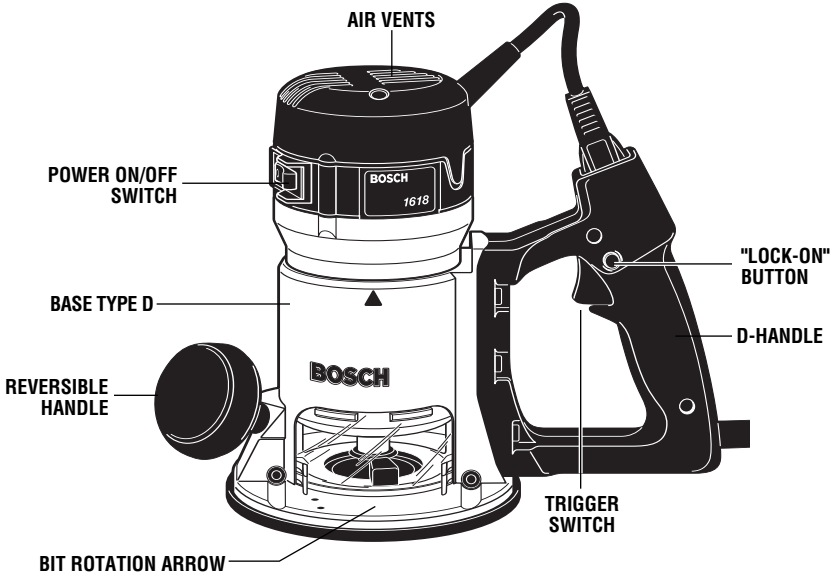
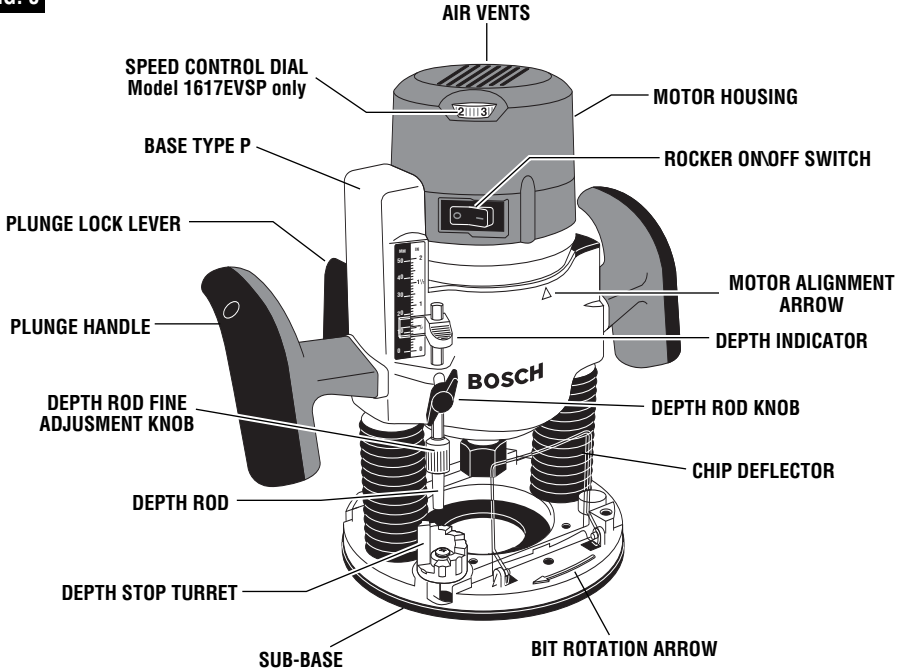


FIG. 3



Model number	1617 & 1618	1617EVS & 1618EVS	0 601 617 061
Voltage rating	120V ~ 50 - 60Hz	120V ~ 50 - 60Hz	220V ~ 50 - 60Hz
Amperage rating	11A	12A	6A
No load speed	n_0 25,000/min	n_0 8,000-25,000/min	n_0 25,000/min
Collet capacities	1/4", 3/8", 1/2", 8mm	1/4", 3/8", 1/2", 8mm	1/4", 3/8", 1/2", 8mm

RA1160 fixed-base shop router base marked type "S" is designed for use with these router motors:

- 1617 router motor (16171)
- 1617EVS router motor (16176)
- 0 601 617 061 router motor (0 601 617 161)
- 1618 router motor (16181)
- 1618EVS router motor (16186)

RA1162 D-handle router base marked type "D" is designed only for use with these router motors:

- 1618 router motor (16181)
- 1618EVS router motor (16186)

RA1166 plunge router base marked type "P" is designed for use with these router motors:

- 1617 router motor (16171)
- 1617EVS router motor (16176)
- 0 601 617 061 router motor (0 601 617 161)
- 1618 router motor (16181)
- 1618EVS router motor (16186)

Assembly

A wide assortment of router bits with different profiles is available separately. Use 1/2" shank whenever possible, and only use good quality bits.

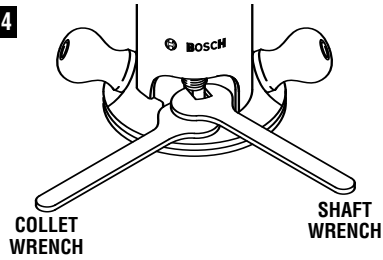
⚠ WARNING To prevent personal injury, always remove the plug from power source before removing or installing bits or accessories.

INSTALLING A ROUTER BIT

Place router upside down or lay router on its side with the base resting on the bench. Another option is to remove the motor from the base before installing the bit.

1. Remove the chip shield (or flip up if plunge base is attached).
2. Hold the armature shaft in place with the shaft wrench (Fig. 4)
3. Next, use the collet wrench to loosen the collet chuck assembly in counter-clockwise direction (viewed from under the router).
4. Insert the shank of the router bit into the collet chuck assembly as far as it will go, then back the shank out until the cutters are approximately 1/8" to 1/4" away from the collet nut face.
5. With the router bit inserted and the shaft wrench holding the armature shaft, use the collet wrench to firmly tighten the collet chuck assembly in a clockwise direction (viewed from under the router). To ensure proper gripping of the router bit and minimize run-out, the shank of the router bit must be inserted at least 5/8".

FIG. 4



⚠ WARNING When the templet guide has been removed from base, do not use router bits greater than 2" in diameter as they will not fit through the sub-base.

⚠ CAUTION To prevent damage to tool, do not tighten collet without a bit.

NOTE: The bit shank and chuck should be clean and free of dust, wood, residue and grease before assembling.

REMOVING THE ROUTER BIT

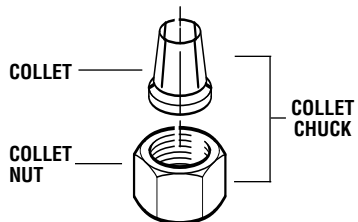
1. Use the shaft and collet chuck wrenches as described earlier, and turn the collet chuck assembly in a counter-clockwise direction.
2. Once the collet chuck assembly is loosened continue to turn the collet chuck assembly until it pulls the collet free from its taper, and the router bit can be removed.

NOTE: The collet chuck is self-extracting; it is NOT necessary to strike the collet chuck to free the router bit.

COLLET CHUCK CARE

With the router bit removed, continue to turn the collet chuck counter-clockwise until it is free of the shaft. To assure a firm grip, occasionally blow out the collet chuck with compressed air, and clean the taper in the armature assembly shaft with a tissue or fine brush. The collet chuck is made up of two component parts as illustrated (Fig. 5); check to see that the collet is properly seated in the collet chuck nut and lightly thread the collet chuck back onto the armature shaft. Replace worn or damaged collet chucks immediately.

FIG. 5



REMOVING MOTOR FROM BASE

To remove motor from non-plunge bases: (Fig. 6)

1. Hold router in horizontal position, open base clamp lever, depress coarse adjustment lever, and pull motor upwards until it stops.
2. Turn motor counter-clockwise, and gently pull it free of base.

To remove motor from plunge base: (Fig. 7)

1. Hold router in horizontal position, open base clamp lever, and pull motor upwards until it stops.
2. Turn motor counter-clockwise, and gently pull it free of base.

INSTALLING MOTOR IN BASE

The motor can be installed with the switch positioned on the right or left of the base from the operator's side (and the cord facing the opposite side of the router). Install the motor so that the switch is in the location you find to be the most easily accessible from the handles. The switch should be easier to turn "OFF" than "ON" in case of an emergency.

To install motor in non-plunge base:

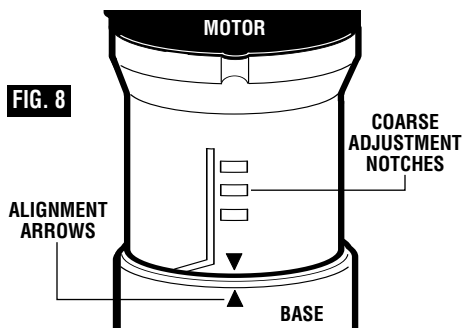
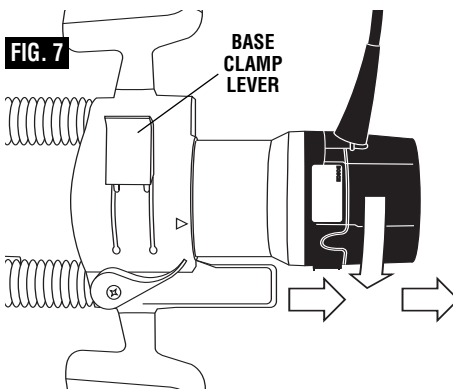
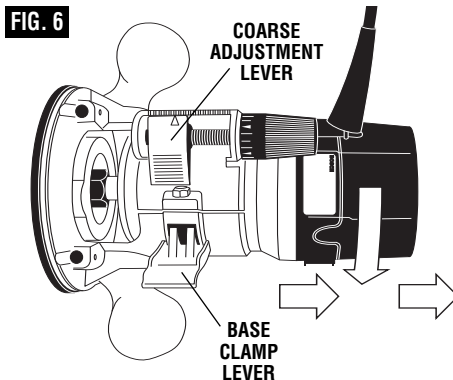
1. Release the base clamp lever.
2. Line up the arrow on the base with arrow on the motor. (Fig. 8)
 - To position switch on the right side of the base, line up the base's arrow with motor housing's arrow that is below the cord.
 - To position switch on the left, line up the base's arrow with motor housing's arrow that is below the switch.
3. While pressing the coarse adjustment lever, slide motor into base until resistance is felt. (The base's guide pin is now engaged into slot on motor.)
4. Continue to press coarse adjustment lever, and turn the motor clockwise until it stops.
5. Push the motor into the base until it reaches the approximate desired depth.
6. Release the coarse adjustment lever and slide the motor forward or back as needed until the coarse adjustment system's "catch" springs into the coarse adjustment detent notch.
7. Set final height position as described below in "Operating Instructions".

To install motor in plunge base:

1. Release the base clamp lever.

2. Line up the arrow on the base with arrow on the motor. (Fig. 8)

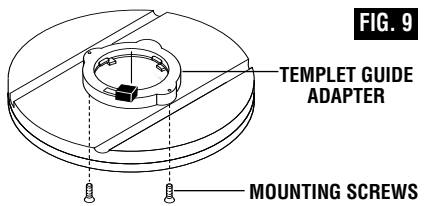
- To position switch on the right side of the base, line up the base's arrow with arrow on the motor housing that is below the cord.



- To position switch on the left, line up the base's arrow with arrow on the motor housing that is below the switch.
- Slide motor into base until resistance is felt. (The base's guide pin is now engaged into slot on motor.)
 - Turn the motor clockwise until it stops.
 - Push the motor into the base as far as it will go.
 - Fasten the base clamp lever.

INSTALLING TEMPLET GUIDE ADAPTER

Place templet guide adapter over the holes in the center of the sub-base, and align the two threaded holes in the bottom of adapter with the countersunk holes in sub-base. Fasten adapter with the screws provided. Note that the adapter is reversible, so the release lever may be positioned as desired. (Fig. 9)

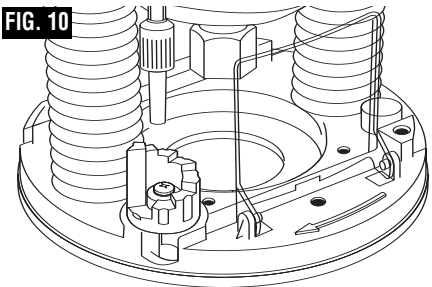


CHIP DEFLECTOR

WARNING Always wear eye protection. The chip deflector is not intended as a safety guard.

The chip deflectors help keep dust and chips out of your face, it will not stop objects larger than dust thrown from the bit.

To remove chip shield from bases, press inward on tabs until it releases from base and remove. To attach, place deflector into position as shown in (Fig. 10). Then flex sides of deflector while pushing until it snaps into place. The plunge base's chip shield can also be flipped out.



Operating Instructions

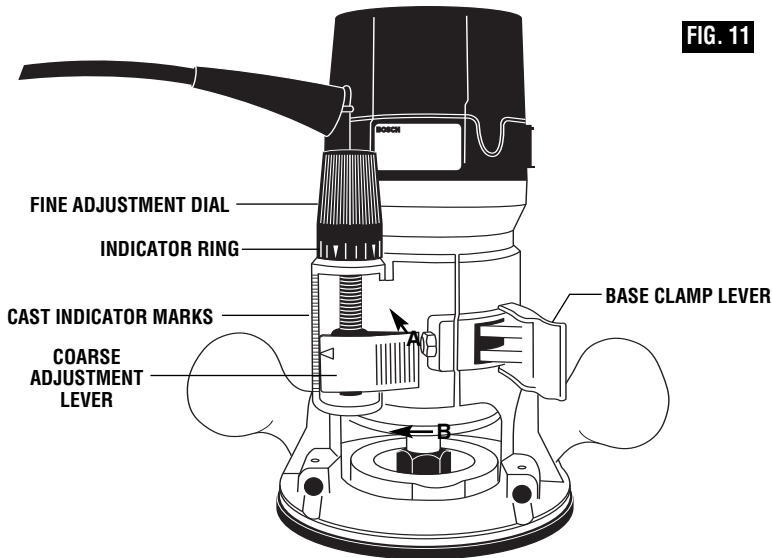


FIG. 11

Bosch routers are designed for speed, accuracy and convenience in performing cabinet work, routing, fluting, beading, cove-cutting, dove tails, etc. They will enable you to accomplish inlay work, decorative edges and many types of special carving.

DEPTH ADJUSTMENT WITH FIXED BASE

Your router is equipped with a true micrometer type fine adjustment mechanism, which can be used in any position and provides precise adjustment of the router bit position for unmatched accuracy. When the tool is lowered to the approximate position desired, this device may be adjusted to precisely set the final bit position.

Your router also features three horizontal notches on both sides of the motor housing for coarse adjustments. The notches are spaced 1/2" apart which allows you to quickly lower or raise the tool depth in three 1/2" increments. (Approximately 12.7 mm), by simply depressing the coarse adjustment release lever.

TO ADJUST DEPTH

NOTE: All depth adjustments must be made with the base clamp lever released.

1. Hold the tool in a horizontal position with the base clamp lever facing you.
2. Open the base clamp lever to release the motor.

3. COARSE ADJUSTMENT:

To make a large depth adjustment, depress coarse adjustment release lever and raise or lower to desired depth. There are three notches in the motor housing which are spaced 1/2" to facilitate this adjustment.

4. FINE DEPTH ADJUSTMENT:

To use the fine adjustment feature, turn the fine adjustment knob clockwise to lower the router bit or counter-clockwise to raise it.

NOTE: Be sure coarse adjustment lever is engaged in one of the coarse adjustment notches before making a fine adjustment.

To allow precise settings, the indicator ring is graduated in English and Metric increments. (Note: one full turn of fine adjustment knob = 1/16" or approximately 1.5 mm. The fine adjustment mechanism has a total adjustment range of 7/8" (23 mm). Each cast indicator mark next to coarse adjustment lever is equal to 1/8"

To prevent damage to tool, avoid wedging the coarse adjustment lever against the upper A or lower B portion of the housing as shown in figure 11.

5. After making depth adjustments, re-clamp the motor.

The indicator ring may be reset to zero without moving the fine adjustment knob, to allow the user to begin the adjustment from any reference point desired.

The RA1002 Fine Adjustment Control Extension, an optional accessory for the non-plunge bases, allows fine adjustment from beyond the top of the motor housing. To install, simply press the RA1002 into the end of the base's own fine adjustment knob. (Fig. 12)

TO CLAMP MOTOR

When final coarse and fine adjustments have been made, fasten the base clamp lever to secure adjustments. (If additional clamping force is desired: using a 10 mm wrench, rotate clamp nut clockwise SLIGHTLY (1/8 turn or less), then test clamp. Do not over-tighten.)

DEEP CUTS

For deeper cuts, make several progressively deeper cuts by starting at one depth and then make several subsequent passes, increasing the cutting depth with each pass.

To be certain that your depth settings are as desired, you may want to make test cuts in scrap material before beginning work.

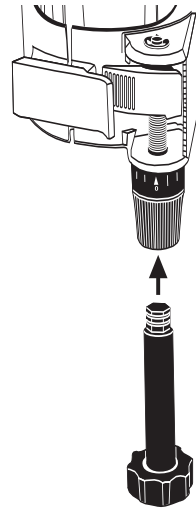


FIG. 12

DEPTH ADJUSTMENT WITH PLUNGE BASE PLUNGING ACTION

The plunge feature simplifies depth adjustments and will allow the cutting bit to easily and accurately enter the workpiece. To lower, push plunge lock lever to the left, apply downward pressure until you reach desired depth, and release pressure on lever to lock (Fig. 13). The plunge lock lever is spring loaded and returns automatically to the locked position. To raise the router, push plunge lock lever to the left, release pressure on router and the router will automatically retract the bit from the workpiece. It is advisable to retract the bit whenever it is not engaged in workpiece.

DEPTH ROD AND TURRET

The depth rod and the depth stop turret are used to control cutting depth as follows;

1. With the bit installed, gently lower the motor until the tip of the router bit just contacts the level surface the router is sitting on. This is the "zero" position, from which further depth adjustments can be accurately made.
2. To set a desired depth of cut, rotate depth stop turret until the lowest step is aligned with the depth rod. Loosen depth indicator knob and lower the depth rod until it contacts the lowest step of the turret. Slide the depth indicator until the red line

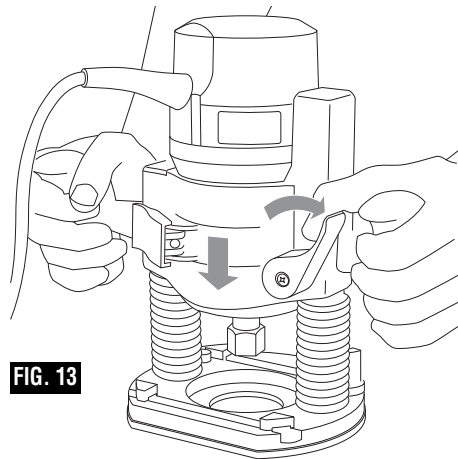
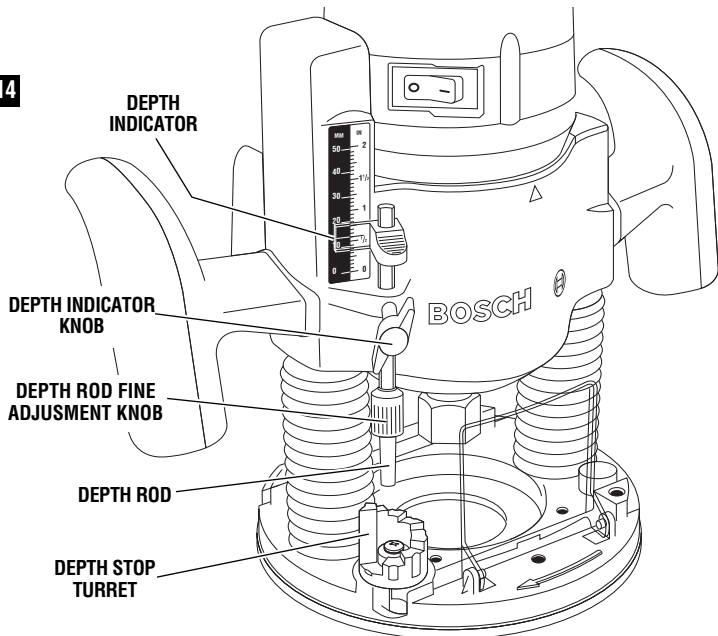


FIG. 13

indicates zero on the depth scale, indicating the point at which the bit just contacts the work (Fig. 14).

3. To set a desired cutting depth, slide the depth rod up until the red depth indicator line attains the desired cutting depth, and secure the rod in position by firmly tightening the depth indicator knob.
4. The desired depth of cut may now be achieved by plunging the router until the depth rod contacts the selected stop on the turret.

FIG. 14



DEEP CUTS

For deeper cuts, make several progressively deeper cuts by starting with the highest step on the depth turret, and after each cut, rotate the depth turret to progressively lower steps as desired, until the final depth (lowest step or flat) is reached. Steps progress by 1/8" increments.

To be certain that your depth settings are as desired, you may want to make test cuts in scrap material before beginning work.

FINE ADJUSTMENT

The RA1166 plunge base is equipped with a fine adjustment system that allows you to micro adjust the plunge depth of the router bit for superior routing accuracy.

Each complete revolution of the fine adjustment stop adjusts the plunging depth by 1/32", and each of the four indicator marks on the knob represents 1/128". One of the four tick marks is larger than the other to indicate a complete revolution. A reference indicator line is built in to the depth rod.

To use the fine adjustment knob, once the depth rod and turret have been set, check the final depth setting and fine-adjust as follows:

To micro-increase the plunge depth, raise the fine adjustment stop by turning it counter-clockwise by the desired amount.

To micro-reduce the plunge depth, lower the fine adjustment stop by turning it clockwise by the desired amount.

Notes:

- When micro-adjusting the plunge depth, it is more convenient to move the fine adjustment stop up than down. Before setting the depth rod and turret, make sure the fine adjustment stop has been turned several revolutions down from its top position so that it can be adjusted upward.
- The fine adjustment stop cannot be used to reduce the plunge depth when the depth rod is already touching the depth stop turret. The router must be raised before such an adjustment can be made.

ROCKER “ON/OFF” SWITCH

Your tool can be turned “ON” or “OFF” by the rocker switch located on the motor housing. One side of the switch is marked “I” for “ON”, and the other side of switch is marked “O” for “OFF”. Also the edge of switch displays red when switch is in the “ON” position.

TO TURN THE TOOL “ON”: Push the side of the switch marked “I”.

TO TURN THE TOOL “OFF”: Push the side of the switch marked “O”.

Always hold the router off the work when turning the switch on or off. Contact the work with the router after the router has reached full speed, and remove it from the work before turning the switch off. Operating in this manner will prolong switch and motor life and will greatly increase the quality of your work (Fig. 1).

ROCKER POWER "ON-OFF" WITH TRIGGER SWITCH AND "LOCK-ON" BUTTON

(Models 1618 & 1618EVS only)

The power is switched "ON" by the rocker switch located on the top of the motor housing as described above. Now your tool can be turned "ON" or "OFF" by squeezing or releasing the trigger. Your tool is also equipped with "Lock-ON" button located just above the trigger that allows continuous operation without holding the trigger (Fig. 2).

TO LOCK SWITCH ON: Squeeze trigger, depress button and release trigger.

TO UNLOCK THE SWITCH: Squeeze trigger and release it without depressing the “Lock-ON” button.

▲ WARNING If the “Lock-ON” button is continuously being depressed, the trigger cannot be released.

On models 1617 & 1618 hold the tool with both hands while starting the tool, since torque from the motor can cause the tool to twist.

SOFT START FEATURE (Models 1617EVS & 1618EVS only)

Electronic feedback control minimizes torque twist customary in larger routers by limiting the speed at which motor starts.

ELECTRONIC VARIABLE SPEED CONTROL (Models 1617EVS & 1618EVS only)

The electronic speed control feature allows motor speed to be matched to cutter size and material hardness for improved finish, extended bit life, and higher performance. Speed changes are achieved by rotating Control Dial RIGHT to increase speed, LEFT to decrease as indicated on housing (Fig. 1). Speed may be changed while tool is on. The reference numbers on the dial facilitate re-

DIAL SETTING	RPM	APPLICATION
1	8,000	} Nonferrous metals, larger diameter bits, and cutters
2	13,500	
3	16,500	
4	20,000	} Softwoods, plastics, counter tops, smaller diameter bits, and cutters
5	21,500	
6	25,000	

setting control to desired speed.

The speed chart indicates the relationship between settings and application, exact settings are determined by operator experience and preference. The bit manufacturer may also have a speed recommendation.

CONSTANT RESPONSE™ CIRCUITRY (Models 1617EVS & 1618EVS only)

The router's Constant Response™ Circuitry monitors and adjusts power to maintain the desired RPM for consistent performance and control.

FEEDING THE ROUTER

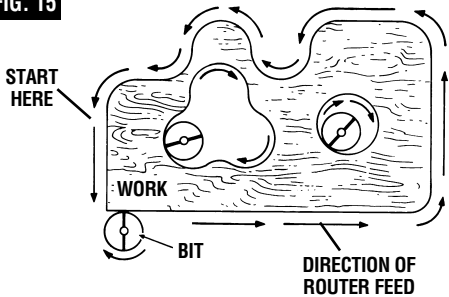
As seen from the top of the router, the bit turns clockwise and the cutting edges face accordingly. Therefore, the most efficient cut is made by feeding the router so that the bit turns into the work, not away. Figure 15 shows proper feed for various cuts. How fast you feed depends on the hardness of the material and the size of the cut. For some materials, it is best to make several cuts of increasing depth.

If the router is hard to control, heats up, runs very slowly or leaves an imperfect cut, consider these causes:

1. Wrong direction of feed — hard to control.
2. Feeding too fast — overloads motor.
3. Dull bit — overloads motor.
4. Cut is too large for one pass — overloads motor.
5. Feeding too slow — leaves friction burns on work.

Feed smoothly and steadily (do not force). You will soon learn how the router sounds and feels when it is working best.

FIG. 15



RATE OF FEED

When routing or doing related work in wood and plastics, the best finishes will result if the depth of cut and feed rate are regulated to keep the motor operating at high speed. Feed the router at a moderate rate. Soft materials require a faster feed rate than hard materials.

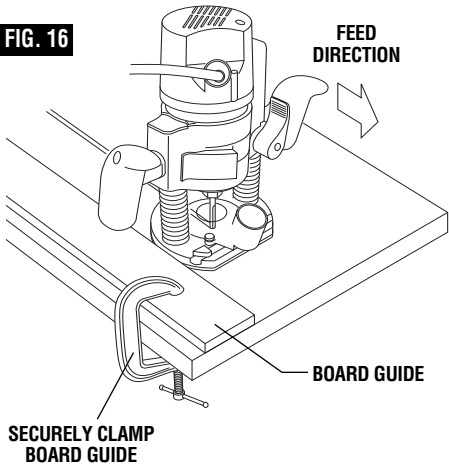
The router may stall if improperly used or overloaded. Reduce the feed rate to prevent possible damage to the tool. Always be sure the collet chuck is tightened securely before use. Always use router bits with the shortest cutting length necessary to produce the desired cut. This will minimize router bit run-out and chatter.

GUIDING THE ROUTER

The router can be guided through the work in any of several ways. The method you use depends, of course, on the demands of the particular job and on convenience.

For routing operations such as grooving or dadoing, it is often necessary to guide the tool in a line parallel to a straight edge. One method of obtaining a straight cut is to securely clamp a board or other straightedge to the work surface, and guide the edge of the router sub-base along this path (Fig. 16).

FIG. 16



CENTERING THE SUB-BASE AND TEMPLT GUIDES

Your router features the Bosch "Precision Centering Design". Its sub-base is precisely centered at the factory. This positions the bit at the center of the sub-base and optional templet guides. Precision centering allows you to closely follow jigs such as straight guides, templets, and dovetail fixtures without worrying about bit walk-off from the intended cut line for any reason, including the orientation of the router's handles. In the event the sub-base screws are loosened or removed, such when preparing the router for use in a router table, here's how to re-center the sub-base when reattaching it:

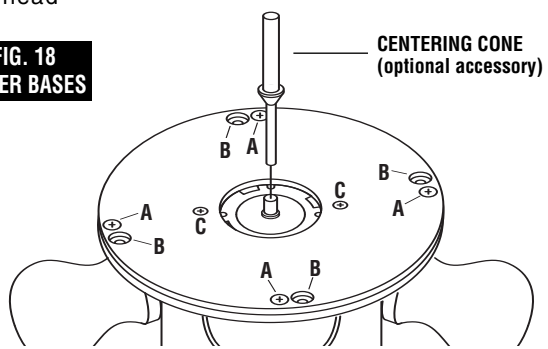
To quickly re-center the sub-base, attach the sub-base using the set of flathead screws (included) and the countersunk screw holes in the sub-base. (Flathead screws have the tapered heads.) The flathead screws and countersunk holes will pull the sub-base into a position that is very close to centered.

OR — To most precisely re-center the sub-base, attach the sub-base using the optional Bosch centering cone, an optional Bosch templet guide, and the set of pan-head

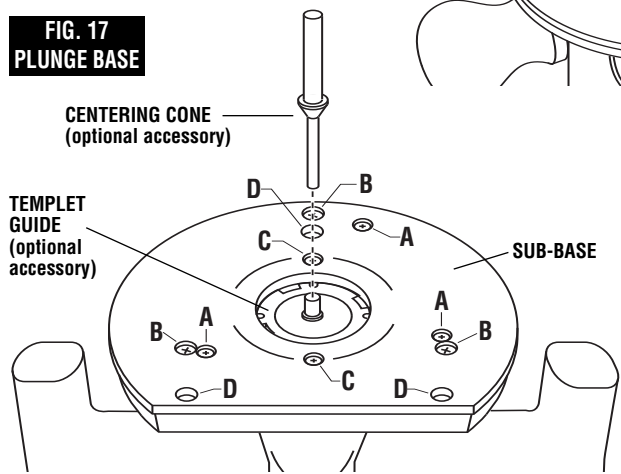
screws (included). (Pan-head screws have rounded tops.) Follow steps 1-8.

1. Position the sub-base so that its pan-head screw holes are over the matching set of threaded holes in the base.
2. Insert the pan-head screws, not the flathead screws, through the sub-base and tighten them until they are snug, but still allow the sub-base to move.
3. Insert templet guide (optional accessory) the installed template guide adapter as described elsewhere in this manual.
4. Slide centering cone (optional accessory) through templet guide and into collet. Use narrow end of cone when inserting into 1/4" collet, wider end of cone when inserting into 1/2" collet.
5. Tighten collet nut with fingers to put slight grip on centering cone.
6. Lightly press centering cone into templet guide to center guide and sub-base.
7. Tighten the pan-head screws.
8. Remove centering cone. The precision centering of the templet guide and sub-base is complete.

**FIG. 18
OTHER BASES**



**FIG. 17
PLUNGE BASE**

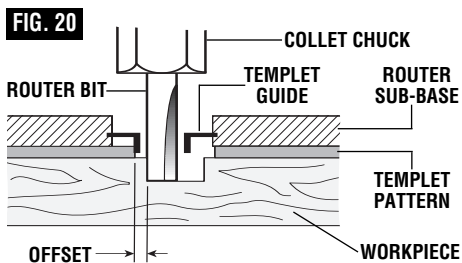
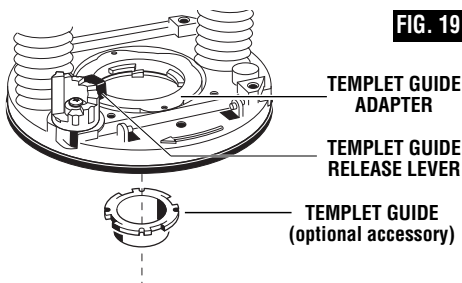


- A = COUNTERSUNK SCREW HOLES
- B = PAN-HEAD SCREW HOLES
- C = TEMPLT GUIDE ADAPTER SCREW HOLES
- D = HOLES FOR ATTACHING ROUTER TO ROUTER TABLE MOUNTING PLATE (Under sub-base on non-plunge bases)

TEMPLER GUIDES

The router is equipped with an exclusive quick-change templet guide adapter, which firmly grips the guides with a spring-loaded ring. To insert or change the templet guide, firmly grip the guides with a spring-loaded ring. To insert or change the templet guide, retract the templet guide release lever. Align the cutaways on the templet guide with the tabs on the bottom of the templet guide adapter. Insert the templet guide and release the lever to grip the templet guide in place (Fig. 19).

Templet guides are used with a number of special accessories, such as hinge templets, which are listed in your BOSCH catalog. In addition, special templets are easily prepared for cutting repeated patterns, special designs, inlays, and other applications. A templet pattern may be made of plywood, hardboard, metal or even plastic, and the design can be cut with a router, jigsaw, or other suitable cutting tool. Remember that the pattern will have to be made to compensate for the distance between the router bit and the templet guide (the "offset"), as the final workpiece will differ in size from the templet pattern by that amount, due to the bit position (Fig. 20).



Also available as an optional accessory is an additional adapter, the RA1100, that allows use of conventional threaded templet guides with the Bosch quick-release system.

ROUTER DUST COLLECTION

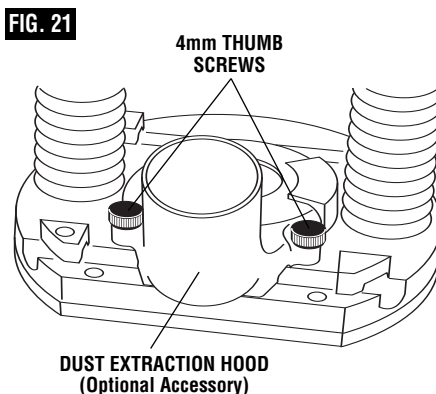
There are three optional dust extraction hood accessories. Each dust extraction hood is sized to accept 35mm vacuum hoses. Each accessory pack includes the VAC002 adapter that will connect the hood to 1-1/4" and 1-1/2" vacuum hoses. An adapter to connect the hood to 2-1/2" hoses is also available separately.

ROUTER DUST COLLECTION FOR PLUNGE BASE

The RA1174 dust extraction hood is designed for use the plunge base (RA1166) when routing is done in the middle of the workpiece, such as when creating slots or routing patterns for inlays. If you have a shop vacuum system, you can attach the dust extraction hood for improved visibility, accuracy and utility, particularly in freehand routing.

To attach, position as shown and secure adapter to base with the thumbscrews provided (Fig. 21).

The dust extraction hood can also be installed with the hose outlet facing the front



of the tool. If the templet guide adapter is installed, it will need to be reversed or removed to allow the release lever to fit under the dust hood.

RA1171 DUST EXTRACTION HOOD FOR OTHER BASES

⚠ WARNING Do not reach in area of the bit while the router is ON or plugged in. To avoid entangling hoses, do not use this dust extraction hood at the same time as any other dust extraction hood.

The RA1171 dust extraction hood is designed for use with Bosch routers bases "S" (RA1160) and "D" (RA1162), when the routing is done in the middle of the workpiece, such as when creating slots or routing out patterns for inlays.

To attach the hood to the router base, slide the hood into the backside of the router base with the hood's rounded corners facing up (Fig. 22 & 23). Securely tighten the two knurled thumbscrews.

For maximum dust collection effectiveness, make sure the router's chip shield is in place.

FIG. 22

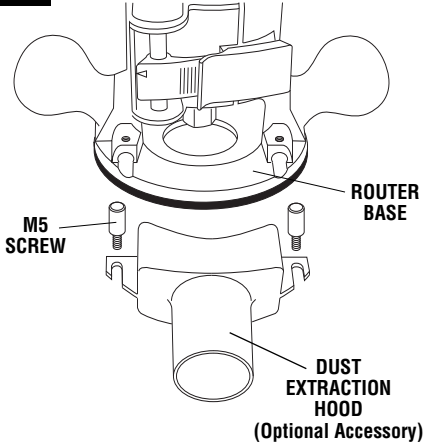
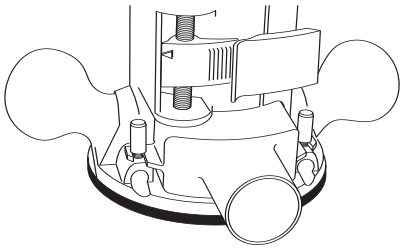


FIG. 23



RA1170 EDGEFORMING DUST EXTRACTION HOOD

⚠ WARNING Do not reach in area of the bit while the router is ON or plugged in. To avoid entangling hoses, do not use this dust extraction hood at the same time as any other dust extraction hood.

The RA1170 dust extraction hood (optional accessory) is used for dust collection when edge-forming (Fig. 24).

ATTACHING DUST EXTRACTION HOOD

You can attach the edge-forming hood in several places according to your needs or preferences. This hood is attached using two of the screw holes on the router base that are used to attach the router's sub-base. Choose the desired location for the hood. Loosen and take out the two screws from the router base and attach the dust extraction hood — over the router's sub-base — using the screws provided with the hood. Securely tighten the screws. (Figures 25 & 26).

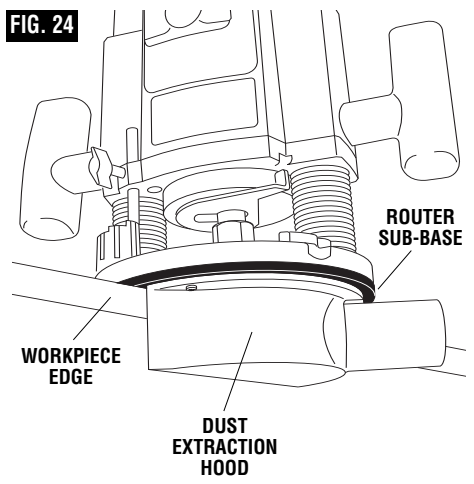


FIG. 24

FIG. 26 OTHER BASES

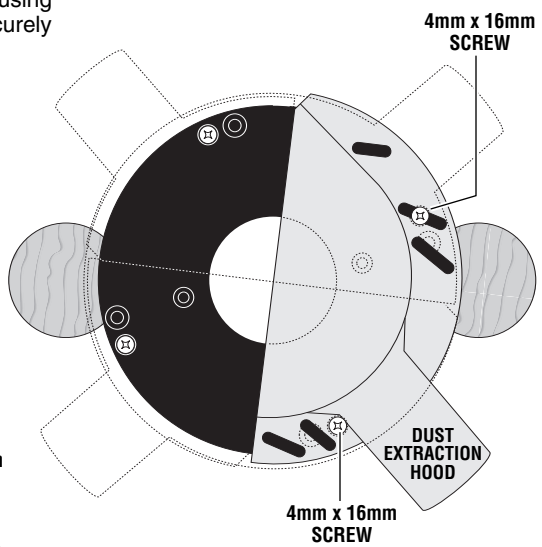


FIG. 25 PLUNGE BASE

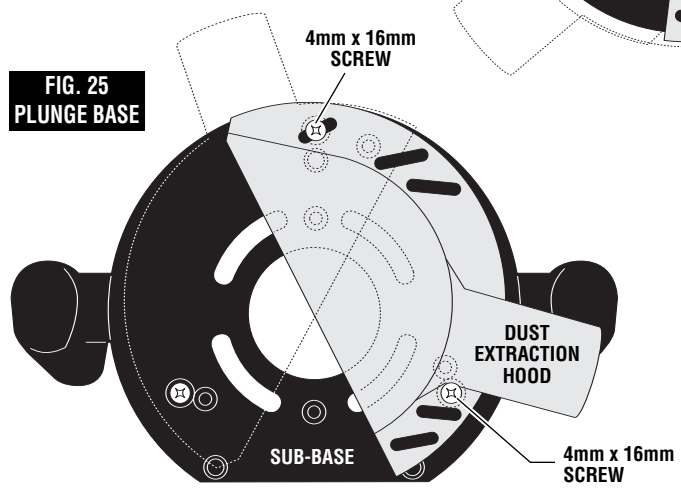
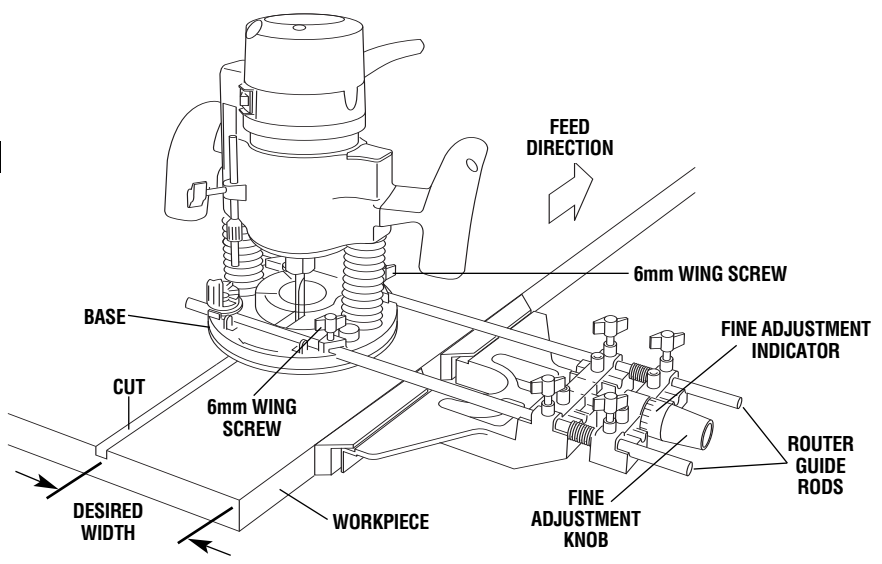


FIG. 27



**DELUXE ROUTER GUIDE
(Not included, available as accessory)**

The Bosch deluxe router guide is an optional accessory that will guide the router parallel to a straight edge or allow you to create circles and arcs.

The deluxe router guide is supplied with two rods and screws to fasten the guide (Fig. 27). In addition, it features a fine adjustment knob and indicator for accurately positioning the edge guide relative to the bit. With the guide installed and adjusted, the router should be

fed normally, keeping the guide in contact with the edge of the workpiece at all times. The deluxe router guide may also be positioned directly under the router base for operations where a cut is needed close to or at the edge of the work.

The deluxe router guide includes a dust extraction hood and the VAC002 vacuum hose adapter.

For complete instructions on installation and operation, please refer to the instructions which are included with this accessory.

USE IN ROUTER TABLE

Your router can also be used in a router table. The RA1160 fixed base is designed to allow easy depth adjustment in a table. The RA1172 "D" D-Handle base will not fit in most router tables.

CAUTION The RA1166 Plunge Base is not recommended for use in a router table. Damage to plunge router base may occur.

To install the RA1160 base in a table, simply remove the sub-base and attach the base to your router table using three 10-24 machine screws or four 4 mm machine screws. The length will depend on the thickness of your router table or router table mounting plate. For Bosch router tables, 3/4" or 20 mm is the appropriate screw length.

To eliminate the hassle of installing your router's own base on the router table and later having to convert it back for non-table use, Bosch offers the optional RA1164 Undertable Router Base (Fig. 28). The RA1164 base is designed to be permanently attached your router table, leaving your other router bases ready for non-table use. The motor can be quickly moved from base to base — without any tools!

The undertable base accessory includes the screws needed to fasten the base to a router table mounting plate, as well as the fine adjustment control extension (Fig. 12).

For complete instructions on operation of a router in a router table and on the undertable base, please refer to the instructions that come with the router table and the undertable base.

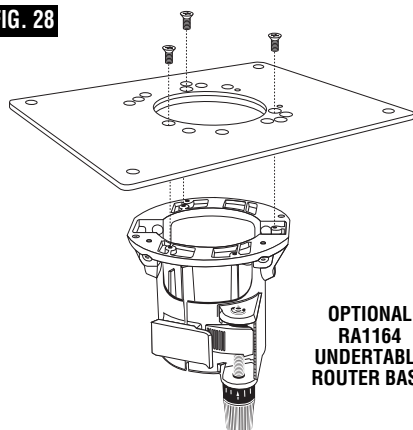
* The RA1172 "D" D-Handle base will not fit in Bosch router tables.

FEEDING THE WORKPIECE ON A ROUTER TABLE

Always use your router table's fence or starter pin and the appropriate guard and follow the router table's instruction manual. ALWAYS feed the workpiece from right to left across the front of the bit. On Bosch router tables, the correct feed direction is also shown on fence housing and on the featherboards, when they have been properly installed. (Fig. 29)

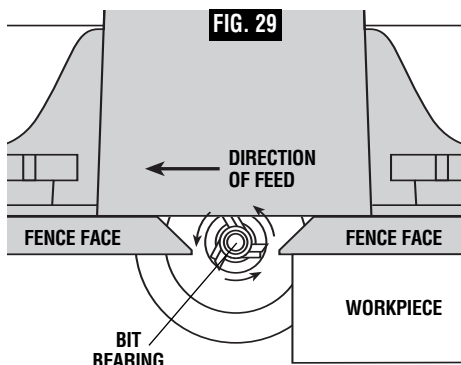
Whenever possible, when using the fence, use a push stick to push the workpiece, especially when working with narrow pieces.

FIG. 28



OPTIONAL
RA1164
UNDERTABLE
ROUTER BASE

FIG. 29



TOP VIEW

NOTE: For clarity, guard and featherboard removed from drawing.

Maintenance

Service

⚠ WARNING Preventive maintenance performed by unauthorized personnel may result in misplacing of internal wires and components which could cause serious hazard. We recommend that all tool service be performed by a Bosch Factory Service Center or Authorized Bosch Service Station.

TOOL LUBRICATION

Your Bosch tool has been properly lubricated and is ready to use. It is recommended that tools with gears be regreased with a special gear lubricant at every brush change.

CARBON BRUSHES

The brushes and commutator in your tool have been engineered for many hours of dependable service. To maintain peak efficiency of the motor, we recommend every two to six months the brushes be examined. Only genuine Bosch replacement brushes specially designed for your tool should be used.

BEARINGS

After about 300-400 hours of operation, or at every second brush change, the bearings

should be replaced at Bosch Factory Service Center or Authorized Bosch Service Station. Bearings which become noisy (due to heavy load or very abrasive material cutting) should be replaced at once to avoid overheating or motor failure.

Cleaning

⚠ WARNING To avoid accidents always disconnect the tool from the power supply before cleaning or performing any maintenance. The tool may be cleaned most effectively with compressed dry air. Always wear safety goggles when cleaning tools with compressed air.

Ventilation openings and switch levers must be kept clean and free of foreign matter. Do not attempt to clean by inserting pointed objects through openings.

⚠ CAUTION Certain cleaning agents and solvents damage plastic parts. Some of these are: gasoline, carbon tetrachloride, chlorinated cleaning solvents, ammonia and household detergents that contain ammonia.

Accessories

⚠ WARNING If an extension cord is necessary, a cord with adequate size conductors that is capable of carrying the current necessary for your tool must be used. This will prevent excessive voltage drop, loss of power or overheating. Grounded tools must use 3-wire extension cords that have 3-prong plugs and receptacles.

NOTE: The smaller the gauge number, the heavier the cord.

- 1/4" Collet Chuck *
- 1/2" Collet Chuck *
- 16 mm Shaft Wrench *
- 24 mm Collet Nut Wrench *
- 3/8" Collet Chuck **
- 8 mm Collet Chuck **
- Deluxe Router Guide **
- Centering Cone **
- Carry Case (Std with 1617K, 1617EVSK, 1617PK, 1617EVSPK only)
- Dust Extraction Hoods **

RECOMMENDED SIZES OF EXTENSION CORDS 120 VOLT ALTERNATING CURRENT TOOLS

Tool's Ampere Rating	Cord Size in A.W.G.				Wire Sizes in mm ²			
	Cord Length in Feet				Cord Length in Meters			
	25	50	100	150	15	30	60	120
3-6	18	16	16	14	0.75	0.75	1.5	2.5
6-8	18	16	14	12	0.75	1.0	2.5	4.0
8-10	18	16	14	12	0.75	1.0	2.5	4.0
10-12	16	16	14	12	1.0	2.5	4.0	—
12-16	14	12	—	—	—	—	—	—

- Edge-Forming Dust Extraction Hood **
- Fine Adjustment Control Extension **
- Undertable Base with Fine Adjustment Control Extension **
- Router Tables **
- Quick-Release Templet Guides **
- Adapter for Standard-Style Templet Guides **

(* = standard equipment)
(** = optional accessories)

Règles de Sécurité Générales

A AVERTISSEMENT

Vous devez lire et comprendre toutes les instructions. Le non-respect, même partiel, des instructions ci-après entraîne un risque de choc électrique, d'incendie et/ou de blessures graves.

CONSERVEZ CES INSTRUCTIONS

Aire de travail

Veillez à ce que l'aire de travail soit propre et bien éclairée. Le désordre et le manque de lumière favorisent les accidents.

N'utilisez pas d'outils électriques dans une atmosphère explosive, par exemple en présence de liquides, de gaz ou de poussières inflammables. Les outils électriques créent des étincelles qui pourraient enflammer les poussières ou les vapeurs.

Tenez à distance les curieux, les enfants et les visiteurs pendant que vous travaillez avec un outil électrique. Ils pourraient vous distraire et vous faire faire une fausse manœuvre.

Sécurité électrique

Les outils à double isolation sont équipés d'une fiche polarisée (une des lames est plus large que l'autre), qui ne peut se brancher que d'une seule façon dans une prise polarisée. Si la fiche n'entre pas parfaitement dans la prise, inversez sa position ; si elle n'entre toujours pas bien, demandez à un électricien qualifié d'installer une prise de courant polarisée. Ne modifiez pas la fiche de l'outil. La double isolation élimine le besoin d'un cordon d'alimentation à trois fils avec mise à la terre ainsi que d'une prise de courant mise à la terre. *Avant de brancher l'outil, assurez-vous que la tension de la prise correspond, à celle indiquée sur la plaque signalétique. N'utilisez pas d'outils prévus pour courant alternatif seulement avec une source de courant continu.*

Évitez tout contact corporel avec des surfaces mises à la terre (tuyauterie, radiateurs, cuisinières, réfrigérateurs, etc.). Le risque de choc électrique est plus grand si votre corps est en contact avec la terre. Si l'utilisation de l'outil électrique dans un endroit humide est inévitable, un disjoncteur de fuite à la terre doit être utilisé pour alimenter votre outil. Des chaussures et des gants en caoutchouc d'électricien contribueront à accroître davantage votre sécurité personnelle.

N'exposez pas les outils électriques à la pluie ou à l'eau. La présence d'eau dans un outil électrique augmente le risque de choc électrique.

Ne maltraitez pas le cordon. Ne transportez pas l'outil par son cordon et ne débranchez pas la fiche en tirant sur le cordon. N'exposez pas le cordon à la chaleur, à des huiles, à des arêtes vives ou à des pièces en mouvement. Remplacez immédiatement un cordon endommagé. Un cordon endommagé augmente le risque de choc électrique.

Lorsque vous utilisez un outil électrique à l'extérieur, employez un prolongateur pour l'extérieur marqué « W-A » ou « W ». Ces cordons sont faits pour être utilisés à l'extérieur et réduisent le risque de choc électrique. Reportez-vous aux « Dimensions recommandées des cordons de rallonge » dans la section Accessoires de ce manuel.

Sécurité des personnes

Restez alerte, concentrez-vous sur votre travail et faites preuve de jugement. N'utilisez pas un outil électrique si vous êtes fatigué ou sous l'influence de drogues, d'alcool ou de médicaments. Un instant d'inattention suffit pour entraîner des blessures graves.

Habillez-vous convenablement. Ne portez ni vêtements flottants ni bijoux. Confinez les cheveux longs. N'approchez jamais les cheveux, les vêtements ou les gants des pièces en mouvement. Des vêtements flottants, des bijoux ou des cheveux longs risquent d'être happés par des pièces en mouvement. Gardez les poignées sèches, propres et exemptes d'huile et de graisse.

Méiez-vous d'un démarrage accidentel. Avant de brancher l'outil, assurez-vous que son interrupteur est sur ARRÊT. Le fait de transporter un outil avec le doigt sur la détente ou de brancher un outil dont l'interrupteur est en position MARCHE peut mener tout droit à un accident.

Enlevez les clés de réglage ou de serrage avant de démarrer l'outil. Une clé laissée dans une pièce tournante de l'outil peut provoquer des blessures.

Ne vous penchez pas trop en avant. Maintenez un bon appui et restez en équilibre en tout temps. Une bonne stabilité vous permet de mieux réagir à une situation inattendue.

Utilisez des accessoires de sécurité. Portez toujours des lunettes ou une visière. Selon les conditions, portez aussi un masque antipoussière, des bottes de sécurité antidérapantes, un casque protecteur et/ou un appareil antibruit.

Utilisation et entretien des outils

Immobilisez le matériau sur une surface stable au moyen de brides ou de toute autre façon adéquate. Le fait de tenir la pièce avec la main ou contre votre corps offre une stabilité insuffisante et peut amener un dérapage de l'outil.

Ne forcez pas l'outil. Utilisez l'outil approprié à la tâche. L'outil correct fonctionne mieux et de façon plus

sécurité. Respectez aussi la vitesse de travail qui lui est propre.

N'utilisez pas un outil si son interrupteur est bloqué.

Un outil que vous ne pouvez pas commander par son interrupteur est dangereux et doit être réparé.

Débranchez la fiche de l'outil avant d'effectuer un réglage, de changer d'accessoire ou de ranger l'outil.

De telles mesures préventives de sécurité réduisent le risque de démarrage accidentel de l'outil.

Rangez les outils hors de la portée des enfants et d'autres personnes inexpérimentées. Les outils sont dangereux dans les mains d'utilisateurs novices.

Prenez soin de bien entretenir les outils. Les outils de coupe doivent être toujours bien affûtés et propres.

Des outils bien entretenus, dont les arêtes sont bien tranchantes, sont moins susceptibles de coincer et plus faciles à diriger. Toute altération ou modification constitue un usage erroné et peut causer un danger.

Soyez attentif à tout désalignement ou coincement des pièces en mouvement, à tout bris ou à toute autre condition préjudiciable au bon fonctionnement de l'outil. Si vous constatez qu'un outil est endommagé, faites-le réparer avant de vous en servir. De nombreux

accidents sont causés par des outils en mauvais état. Élaborez un calendrier d'entretien périodique de votre outil.

N'utilisez que des accessoires que le fabricant recommande pour votre modèle d'outil. Certains accessoires peuvent convenir à un outil, mais être dangereux avec un autre.

Réparation

La réparation des outils électriques doit être confiée à un réparateur qualifié. L'entretien ou la réparation d'un outil électrique par un amateur peut avoir des conséquences graves. Ainsi, des fils internes peuvent être mal placés ou pincés, des ressorts de rappel de protecteur peuvent être montés erronément.

Pour la réparation d'un outil, n'employez que des pièces de rechange d'origine. Suivez les directives données à la section « Réparation » de ce manuel.

L'emploi de pièces non autorisées ou le non-respect des instructions d'entretien peut créer un risque de choc électrique ou de blessures. Certains agents nettoyants tels qu'essence, tétrachlorure de carbone, ammoniac, etc., peuvent abîmer les pièces en plastique.

Règles de sécurité concernant les toupies

Tenez l'outil par les surfaces isolées de prise en exécutant une opération lorsque l'outil de coupe peut venir en contact avec des fils cachés ou son propre cordon. Le contact avec un fil sous tension rendra les parties métalliques exposées de l'outil sous tension et causera des secousses électriques à l'opérateur. *Pour couper dans des murs existants ou autres endroits aveugles pouvant dissimuler des fils électriques, débranchez tous les fusibles ou les disjoncteurs alimentant ce lieu de travail.*

Assurez-vous toujours que la surface de travail est exempte de clous et autres objets étrangers. La coupe dans un clou peut faire sauter la lame et l'outil, et ainsi abîmer la lame.

Ne tenez jamais le matériau d'une main et l'outil de l'autre lorsque vous en faites usage. Ne placez jamais les mains sous la surface de coupe ou à proximité de celle-ci. Il est plus sûr de cramponner le matériau et de guider l'outil des deux mains.

Ne posez jamais le matériau sur des surfaces dures telles que le béton, la pierre, etc. ... La lame de coupe en saillie peut faire sauter l'outil.

Portez toujours des lunettes de sécurité et un masque anti-poussières. N'utilisez l'outil qu'à un endroit bien aéré. L'utilisation de dispositifs de sécurité personnelle

et le travail dans un environnement sûr réduisent les risques de blessures.

Après avoir changé les lames ou effectué quelque réglage que ce soit, assurez-vous que l'écrou de la douille et tout autre dispositif de réglage sont bien serrés. Un dispositif de réglage lâche peut bouger soudainement et causer ainsi une perte de contrôle avec projection violente des composants en rotation.

Ne mettez jamais l'outil en marche alors que la lame est enfoncée dans le matériau. Le tranchant de la lame peut se coincer dans le matériau et vous faire perdre le contrôle du couteau.

Tenez toujours le couteau des deux mains durant la mise en marche. Le couple de réaction du moteur peut faire tordre l'outil.

Le sens d'introduction de la lame dans le matériau est très important, et il est lié au sens d'introduction de la lame. Lorsque vous regardez l'outil depuis le dessus, la lame tourne en sens horaire. Le sens d'introduction du couteau doit être anti-horaire. REMARQUE : Les coupes intérieures et extérieures nécessiteront des sens de déplacement différents - référez-vous à la section consacrée au sens de déplacement de la toupie. Si l'outil est introduit dans le mauvais sens, le tranchant de la lame peut sortir du

matériau et tirer l'outil dans le sens de cette introduction.

N'utilisez jamais de lames émoussées ou abîmées. Les lames affilées doivent être maniées soigneusement. Les mèches abîmées peuvent se rompre brusquement durant l'usage. Les lames émoussées nécessitent plus de force pour pousser l'outil, causant éventuellement un bris de la lame.

Ne touchez jamais la lame durant ou immédiatement après l'usage. Après usage, la lame est trop chaude pour être touchée à main nue.

Ne posez jamais l'outil avant que le moteur ne se soit arrêté complètement. La lame en rotation peut saisir la surface et vous faire perdre le contrôle de l'outil.

N'utilisez jamais des fers dont le diamètre de coupe est supérieur à celui de l'ouverture pratiquée dans la base.

▲ AVERTISSEMENT




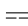



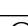

Les travaux à la machine tel que ponçage, sciage, meulage, perçage et autres travaux du bâtiment peuvent créer des poussières contenant des produits chimiques qui sont des causes reconnues de cancer, de malformation congénitale ou d'autres problèmes reproductifs. Ces produits chimiques sont, par exemple :

- Le plomb provenant des peintures à base de plomb,
- Les cristaux de silices provenant des briques et du ciment et d'autres produits de maçonnerie, et
- L'arsenic et le chrome provenant des bois traités chimiquement

Le niveau de risque dû à cette exposition varie avec la fréquence de ces types de travaux. Pour réduire l'exposition à ces produits chimiques, il faut travailler dans un lieu bien ventilé et porter un équipement de sécurité approprié tel que certains masques à poussière conçus spécialement pour filtrer les particules microscopiques.

Symboles

IMPORTANT : Certains des symboles suivants peuvent être utilisés sur votre outil. Veuillez les étudier et apprendre leur signification. Une interprétation appropriée de ces symboles vous permettra d'utiliser l'outil de façon plus efficace et plus sûre.

Symbole	Nom	Désignation/Explication
V	Volts	Tension (potentielle)
A	Ampères	Courant
Hz	Hertz	Fréquence (cycles par seconde)
W	Watt	Puissance
kg	Kilogrammes	Poids
min	Minutes	Temps
s	Secondes	Temps
∅	Diamètre	Taille des mèches de perceuse, meules, etc.
n_0	Vitesse à vide	Vitesse de rotation, à vide
.../min	Tours ou mouvement alternatif par minute	Tours, coups, vitesse en surface, orbites, etc., par minute
0	Position d'arrêt	Vitesse zéro, couple zéro ...
1, 2, 3, ... I, II, III, ...	Réglages du sélecteur	Réglages de vitesse, de couple ou de position. Un nombre plus élevé signifie une vitesse plus grande.
	Sélecteur variable à l'infini avec arrêt	La vitesse augmente depuis le réglage 0
	Flèche	Action dans la direction de la flèche
	Courant alternatif	Type ou caractéristique du courant
	Courant continu	Type ou caractéristique du courant
	Courant alternatif ou continu	Type ou caractéristique du courant
	Construction classe II	Désigne des outils construits avec double isolation
	Borne de terre	Borne de mise à la terre
	Symbole d'avertissement	Alerte l'utilisateur aux messages d'avertissement.
	Sceau Ni-Cad RBRC™	Désigne le programme de recyclage des piles Ni-Cad.



Ce symbole signifie que cet outil est approuvé par Underwriters Laboratories.



Ce symbole signifie que cet outil est approuvé conformément aux normes canadiennes par Underwriters Laboratories.



Ce symbole signifie que cet outil se conforme aux normes mexicaines NOM.



Ce symbole signifie que cet outil est approuvé par l'Association canadienne de normalisation.



Ce symbole signifie que cet outil est approuvé par Underwriters Laboratories et qu'il a été homologué selon les normes canadiennes par Underwriters Laboratories.

Description fonctionnelle et spécifications

⚠ AVERTISSEMENT Débranchez la fiche de la prise de courant avant d'effectuer quelque assemblage ou réglage que ce soit ou de changer les accessoires. Ces mesures de sécurité préventive réduisent le risque d'une mise en marche accidentelle de l'outil.

Toupies

FIG. 1

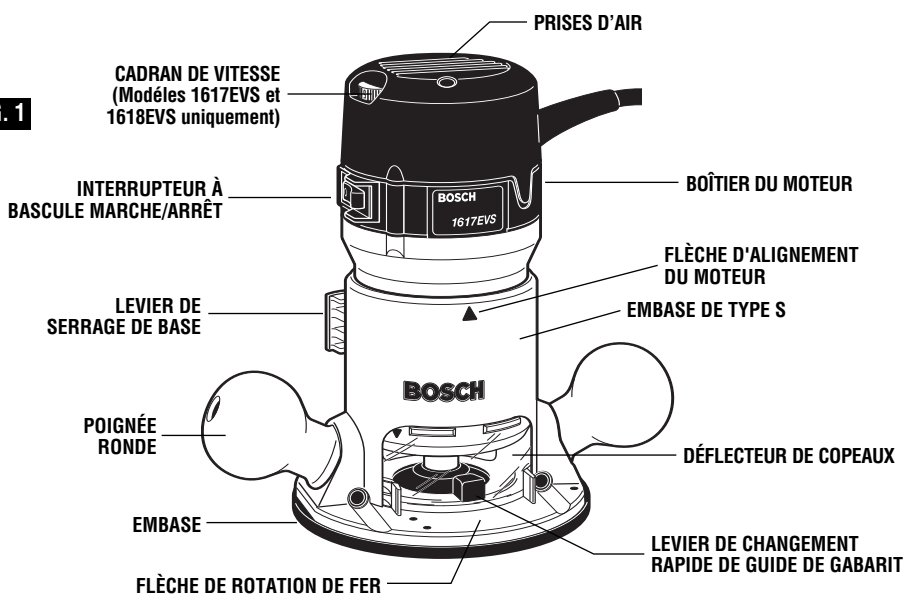


FIG. 2

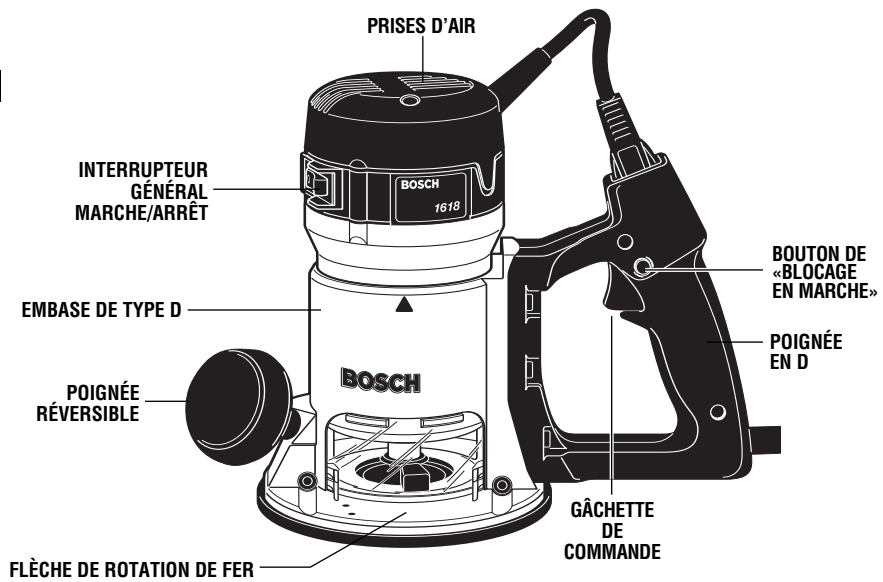
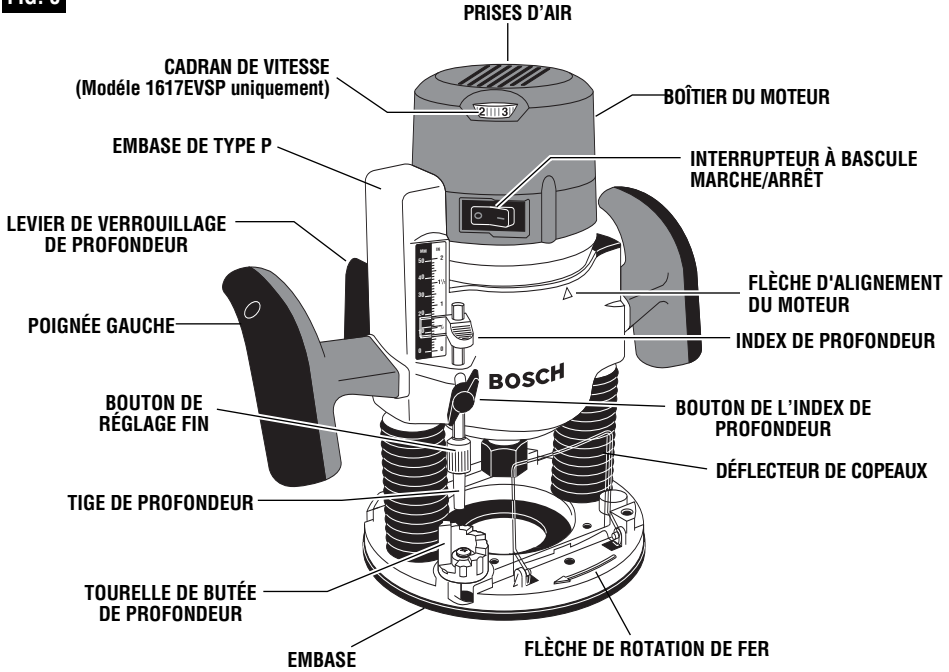


FIG. 3



Numéro de modèle	1617 et 1618	1617EVS et 1618EVS	0 601 617 061
Tension nominale	120V ~ 50 - 60Hz	120V ~ 50 - 60Hz	220V ~ 50 - 60Hz
Intensité nominale	11A	12A	6A
Régime à vide	n ₀ 25,000/min	n ₀ 8,000-25,000/min	n ₀ 25,000/min
Capacités de la douille	1/4", 3/8", 1/2", 8mm	1/4", 3/8", 1/2", 8mm	1/4", 3/8", 1/2", 8mm

L'embase RA1160 pour défonceuse d'atelier à embase fixe marquée type 'S' est conçue pour fonctionner avec ces moteurs de défonceuse :

- No 1617 : Moteur de défonceuse (16171)
- No 1617EVS : Moteur de défonceuse (16176)
- No 0 601 617 061 : Moteur de défonceuse (0 601 617 161)
- No 1618 : Moteur de défonceuse (16181)
- No 1618EVS : Moteur de défonceuse (16186)

L'embase de défonceuse à poignée en 'D' RA1162 marquée type 'D' est conçue pour fonctionner uniquement avec ces moteurs de défonceuse :

- No 1618 : Moteur de défonceuse (16181)
- No 1618EVS : Moteur de défonceuse (16186)

L'embase de défonceuse en plongée RA1166 marquée type 'P' est conçue pour fonctionner avec ces moteurs de défonceuse :

- No 1617 : Moteur de défonceuse (16171)
- No 1617EVS : Moteur de défonceuse (16176)
- No 0 601 617 061 : Moteur de défonceuse (0 601 617 161)
- No 1618 : Moteur de défonceuse (16181)
- No 1618EVS : Moteur de défonceuse (16186)

Assemblage

CHOIX DE FERS

Un large assortiment de fers de défonçeuse avec des profils variés est disponible séparément. Utilisez une queue de 1/2 po si possible, et n'utilisez que des fers de bonne qualité.

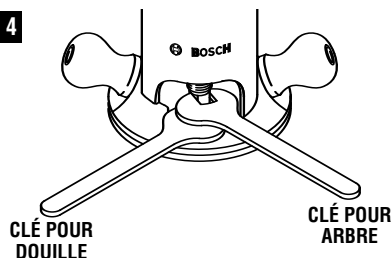
⚠ AVERTISSEMENT Pour éviter le risque de blessure, débranchez toujours le cordon de la source d'alimentation avant de substituer les fers ou autres accessoires.

POSE D'UN FER DE TOUPIE

Posez la défonçeuse à l'envers ou sur son côté avec l'embase reposant sur l'établi. Il est également possible d'enlever le moteur de l'embase avant de monter le fer.

1. Enlevez le pare-copeaux (ou pivotez-le vers le haut si vous utilisez embase plongeante).
2. Tenez l'arbre d'induit en place à l'aide de la clé pour arbre (Fig. 4).
3. Utilisez ensuite la clé pour douille pour desserrer l'ensemble mandrin-douille en sens anti-horaire (quand on le regarde depuis le dessous de la toupie).
4. Insérez la tige du fer de toupie dans l'ensemble mandrin-douille aussi loin que possible, puis reculez la tige vers l'extérieur jusqu'à ce que les couteaux soient à environ entre 3 mm - 6 mm de la face de l'écrou de douille.
5. Une fois le fer inséré et la clé pour arbre tenant l'arbre d'induit, serrez fermement l'ensemble mandrin-douille en sens horaire (quand on le regarde depuis le dessous de la toupie) à l'aide de la clé pour douille.

FIG. 4



⚠ AVERTISSEMENT Si le guide de gabarit est enlevé de l'embase, n'utilisez pas de fers de défonçeuse d'un diamètre supérieur à 2 po car ils ne passeraient pas par le trou de la sous-embase.

⚠ MISE EN GARDE Pour éviter d'endommager l'écrou de douille en l'absence du fer.

REMARQUE : La tige du fer et le mandrin doivent être propres et exempts de poussière, de bois, de résidus et de graisse avant l'assemblage.

DÉPOSE DU FER

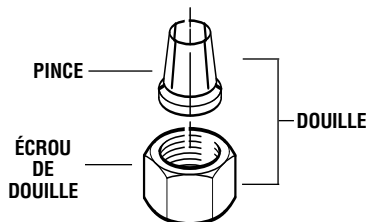
1. Au moyen des clés pour arbre et mandrin-douille mentionnées précédemment, tournez l'ensemble mandrin-douille en sens anti-horaire.
2. Quand l'ensemble mandrin-douille est desserré, continuez à le tourner jusqu'à ce que la douille se dégage du cône et que vous puissiez retirer le fer.

REMARQUE : L'extraction de l'ensemble mandrin-douille s'accomplit sans effort ; il n'est PAS nécessaire de frapper le mandrin pour déloger le fer.

SOINS DE L'ENSEMBLE MANDRIN-DOUILLE

Quand le fer est enlevé, continuez à tourner l'ensemble mandrin-douille en sens anti-horaire jusqu'à ce qu'il se détache de l'arbre. Pour assurer un serrage adéquat, nettoyez occasionnellement l'ensemble à l'air comprimé, et nettoyez le cône de l'arbre d'induit avec un chiffon ou une brosse douce. Comme le montre l'illustration (Fig. 5), l'ensemble mandrin-douille est constitué de trois éléments. Assurez-vous que la douille est calée adéquatement dans l'écrou de l'ensemble mandrin-douille et vissez légèrement le mandrin-douille en place sur l'arbre d'induit. Remplacez les ensembles mandrin-douille usés ou endommagés immédiatement.

FIG. 5



DÉMONTAGE DU MOTEUR DE L'EMBASE

Pour démonter le moteur des embases non plongeantes : (Fig. 6)

1. Tenez la défonceuse à l'horizontale, desserrez le levier de bridage de l'embase, enfoncez le levier de réglage grossier de la profondeur et tirez le moteur vers le haut jusqu'à ce qu'il bute.
2. Tournez le moteur en sens anti-horaire et retirez-le doucement de l'embase en tirant.

Pour enlever le moteur de l'embase plongeante : (Fig. 7)

1. Tenez la défonceuse à l'horizontale, desserrez le levier de bridage de l'embase et tirez le moteur vers le haut jusqu'à ce qu'il bute.
2. Tournez le moteur en sens anti-horaire et retirez-le doucement de l'embase en tirant.

MONTAGE DU MOTEUR SUR UNE EMBASE

Le moteur peut être monté avec l'interrupteur positionné à droite ou à gauche de l'embase vue du côté de l'utilisateur (et avec le cordon dirigé vers l'autre côté de la défonceuse). Installez le moteur de manière à ce que l'interrupteur soit dans la position que vous trouvez la plus facile d'accès depuis les poignées. L'interrupteur doit être positionné pour privilégier l'arrêt en cas d'urgence plutôt que la marche.

Pour installer le moteur dans une embase non plongeante :

1. Desserrez le levier de bridage de l'embase.
2. Placez la flèche de l'embase en face de celle du moteur. (Fig. 8)
 - Pour positionner l'interrupteur du côté droit de l'embase, mettez la flèche de l'embase en face de celle du boîtier du moteur qui se trouve sous le cordon.
 - Pour positionner l'interrupteur à gauche, mettez la flèche de l'embase en face de celle du boîtier du moteur qui se trouve sous l'interrupteur.
3. Tout en appuyant sur le levier de réglage grossier, enfoncez le moteur dans l'embase jusqu'à ce que vous sentiez une résistance. (Le pied de guidage de l'embase pénètre maintenant dans la fente du moteur.)
4. Tout en continuant d'appuyer sur le levier de réglage grossier, tournez le moteur en sens horaire jusqu'à ce qu'il bute.
5. Enfoncez le moteur dans l'embase jusqu'à ce qu'il atteigne approximativement la profondeur désirée.
6. Relâchez le levier de réglage grossier et faites coulisser le moteur vers l'avant ou vers l'arrière jusqu'à ce que loquet du système de réglage grossier s'enclenche dans le cran de réglage grossier.
7. Réglez la profondeur finale comme décrit dans les « instructions d'utilisation ».

FIG. 6

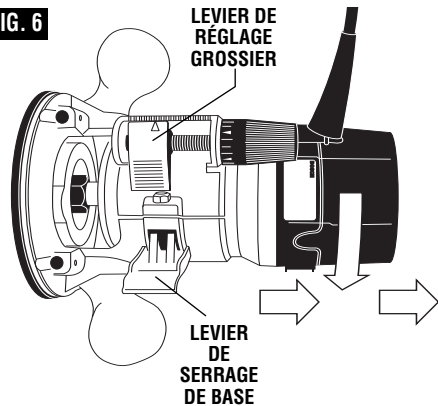


FIG. 7

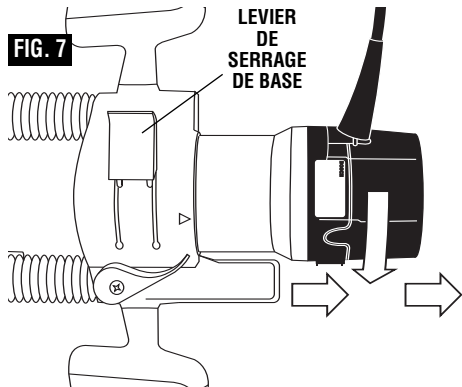
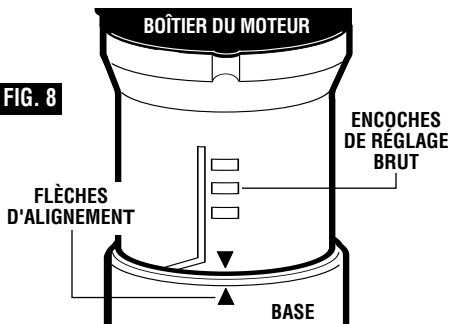


FIG. 8



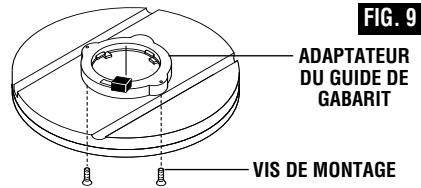
Pour installer le moteur dans une embase plongeante :

1. Desserrez le levier de bridage de l'embase.
2. Placez la flèche de l'embase en face de celle du moteur. (Fig. 8)
 - Pour positionner l'interrupteur du côté droit de l'embase, mettez la flèche de l'embase en face de celle du boîtier du moteur qui se trouve sous le cordon.
 - Pour positionner l'interrupteur à gauche, mettez la flèche de l'embase en face de celle du boîtier du moteur qui se trouve sous l'interrupteur.

3. Enfoncez le moteur dans l'embase jusqu'à ce que vous sentiez une résistance. (Le pied de guidage de l'embase pénètre maintenant dans la fente du moteur.)
4. Tournez le moteur en sens horaire jusqu'à ce qu'il bute.
5. Enfoncez le moteur à fond dans l'embase.
6. Serrez le levier de bridage de l'embase.

POSE DE L'ADAPTATEUR DU GUIDE DE GABARIT

Placez l'adaptateur du guide de gabarit par-dessus les trous au centre de l'embase, et alignez les deux trous filetés au bas de l'adaptateur sur les trous fraisés de l'embase. Fixez l'adaptateur à l'aide des vis fournies. Il convient de noter que l'adaptateur est réversible, de sorte que le levier de relâchement peut être positionné de la manière désirée. (Fig. 9)

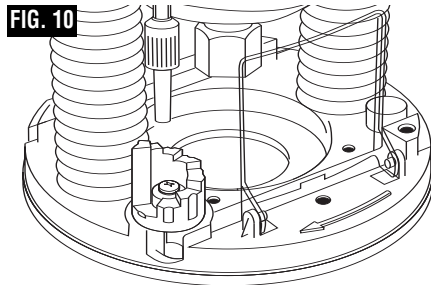


DÉFLECTEUR DE COPEAUX

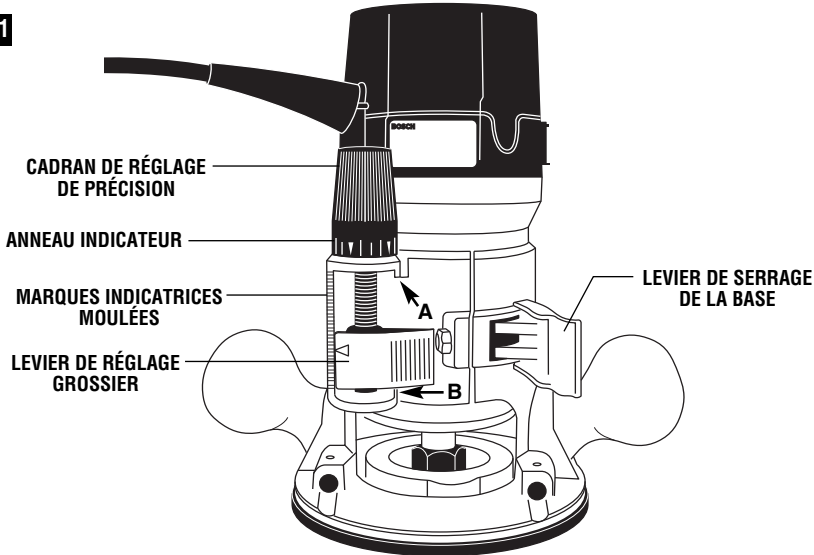
▲ AVERTISSEMENT Portez toujours une protection oculaire. Le déflecteur de copeaux n'est pas conçu pour servir de capot de sécurité.

Le déflecteur de copeaux empêche les copeaux et la poussière de vous frapper le visage mais il n'est pas capable d'arrêter des objets plus gros que les copeaux éjectés par le fer.

Pour enlever le pare-copeaux de l'embase, appuyez sur les languettes vers l'intérieur jusqu'à ce que le pare-copeaux soit libéré de l'embase et enlevez ce dernier. Pour le remonter, mettez-le en position comme indiqué à la (Fig. 10), ensuite faites fléchir ses côtés tout en poussant jusqu'à ce que le pare-copeaux s'enclenche à sa place. Le pare-copeaux de l'embase plongeante peut également être écarté en le faisant pivoter.



Consignes de fonctionnement

FIG.11


Les défonceuses Bosch sont conçues pour faire aisément du travail rapide et précis en ébénisterie, toupillage, moulurage de cannelures, baguettes, anses, usinages de queues d'arondes, etc. Elles vous permettent de faire de la marqueterie, des bordures décoratives et de nombreux types de sculptures spéciales.

RÉGLAGE DE LA PROFONDEUR AVEC EMBASE FIXE

Votre défonceuse est munie d'un mécanisme de réglage fin micrométrique véritable qui peut être utilisé dans n'importe quelle position et qui permet un réglage extrêmement exact de la position du fer de défonceuse lui apportant ainsi une précision inégalée. Après avoir abaissé l'outil approximativement à la position désirée, utilisez ce mécanisme pour régler précisément la position finale du fer.

Votre défonceuse est également dotée de trois encoches horizontales situées de chaque côté du boîtier du moteur pour les réglages grossiers. Les encoches sont espacées de 1/2 po ce qui vous permet de rapidement relever ou abaisser l'outil par incréments de 1/2 po (environ 12,7 mm). Il suffit pour cela d'appuyer sur le levier de déverrouillage du réglage grossier.

POUR RÉGLER LA PROFONDEUR

REMARQUE : tous les réglages de profondeur doivent être effectués avec le levier de bridage de l'embase déverrouillé.

1. Tenez l'outil en position horizontale avec le levier de bridage de l'embase vous faisant face.
2. Ouvrez le levier de bridage de l'embase pour libérer le moteur.

3. RÉGLAGE GROSSIER :

Pour effectuer un réglage grossier important, appuyez sur le levier de déverrouillage du réglage grossier et relevez ou abaissez le moteur pour le mettre à la profondeur désirée. Le boîtier du moteur est muni de trois encoches espacées de 1/2 po pour faciliter ce réglage.

4. RÉGLAGE FIN DE LA PROFONDEUR :

Pour effectuer un réglage fin, tournez le bouton de réglage fin en sens horaire pour abaisser le fer de défonceuse ou en sens inverse pour le relever.

REMARQUE : Assurez-vous que le levier de réglage grossier est enclenché dans une des encoches de réglage grossier avant d'effectuer un réglage fin.

Pour permettre des réglages fins précis, la bague de repérage est graduée à la fois en pouces et en millimètres (Remarque : un tour complet du bouton de réglage fin vaut 1/16 po ou environ 1,5 mm). Le mécanisme de réglage fin a une plage de réglage totale de 7/8 po (23 mm). Chacun des repères moulés près du levier de réglage grossier correspond à 1/8 po.

Afin de ne pas abîmer l'outil, évitez de coincer le levier de réglage grossier contre la partie supérieure A ou la partie inférieure B du boîtier comme indiqué à la figure 11.

5. Après avoir effectué les réglages de profondeur, bridez le moteur.

La bague de repérage peut être remise à zéro sans bouger le bouton de réglage fin, ce qui permet à l'utilisateur de commencer le réglage à partir de n'importe quelle position de référence.

La rallonge de commande de réglage fin RA1002 (accessoire en option pour les embases fixes (non-plongeantes)) permet de faire des réglages fins d'une position dégagée au-dessus du boîtier du moteur. Pour l'installer, il suffit d'emmancher la RA1002 sur l'extrémité du bouton de réglage fin de l'embase (Fig. 12)

POUR BRIDER LE MOTEUR

Après avoir terminé les réglages grossiers et fins, serrez le levier de bridage de l'embase pour fixer les réglages. Si on désire augmenter le force de bridage: à l'aide d'une clé de 10 mm, tournez LÉGÈREMENT l'écrou de bridage en sens horaire (d'1/8 de tour ou moins), ensuite essayez de brider. Ne serrez pas trop fort.

USINAGES PROFONDS

Pour faire des usinages profonds, commencez à une profondeur moindre et faites plusieurs passes successives en augmentant la profondeur à chaque fois.

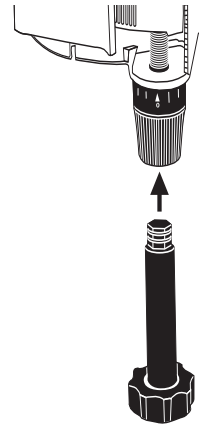


FIG. 12

Pour vous assurer que vos réglages de profondeur sont corrects, vous pouvez faire des essais sur des chutes avant de commencer l'usinage.

RÉGLAGES DE PROFONDEUR AVEC UNE EMBASE PLONGEANTE

MOUVEMENT DE PLONGÉE

Le mouvement de plongée simplifie les réglages de profondeur et permet au fer de pénétrer facilement et précisément dans la pièce. Pour abaisser la machine, poussez le levier de verrouillage de profondeur vers la gauche, appuyez vers le bas jusqu'à ce que la profondeur désirée soit atteinte, et relâchez le levier pour verrouiller la machine (Fig. 13). Le levier de verrouillage de profondeur est rappelé par ressort et retourne automatiquement à la position de verrouillage. Pour relever la machine, poussez le levier de verrouillage vers la gauche, relâchez la pression sur la défonceuse et celle-ci soulèvera automatiquement le fer de la pièce. Il est conseillé de toujours remonter le fer quand il n'est pas en train d'usiner la pièce.

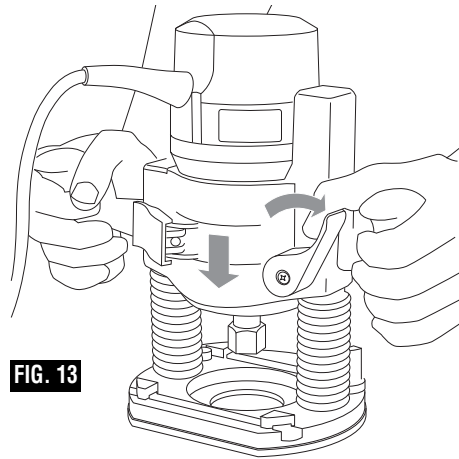


FIG. 13

TIGE ET TOURELLE DE PROFONDEUR

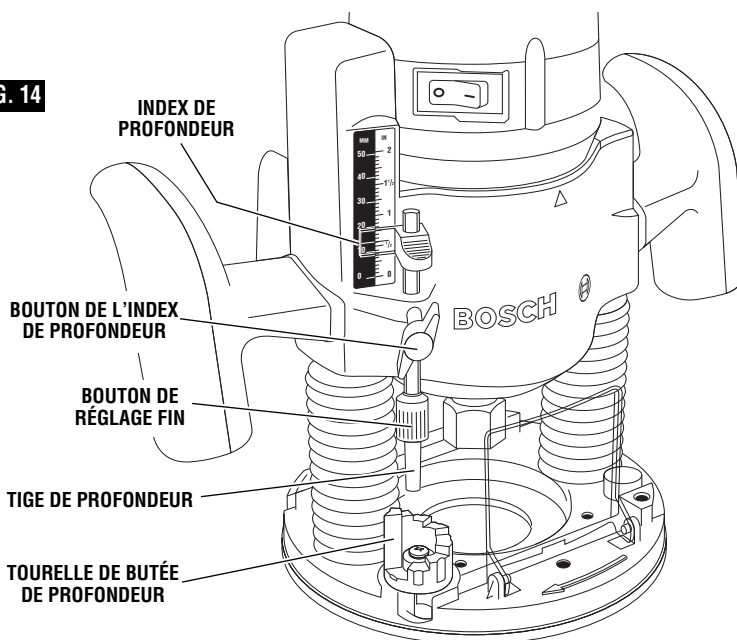
La tige de profondeur et la tourelle de butée de coupe sont utilisées pour régler la profondeur de coupe comme suit :

1. Avec le fer monté, abaissez doucement le moteur jusqu'à ce que le bout du fer affleure juste la surface plane sur laquelle repose la défonceuse. Ceci constitue la position zéro à partir de laquelle on peut effectuer des réglages précis de profondeur.
2. Pour régler la profondeur de coupe, faites pivoter la tourelle de profondeur jusqu'à ce que sa butée la plus basse soit en face de la tige de profondeur. Desserrez le bouton de l'index de profondeur et abaissez la tige de profondeur jusqu'à ce qu'elle touche la butée la plus basse sur la tourelle. Faites

coulisser l'index de profondeur jusqu'à ce que le trait rouge marque zéro sur l'échelle de profondeur, ce qui indique le point où le fer affleure juste la surface de travail (Fig. 14).

3. Pour régler la profondeur désirée, faites coulisser la tige de profondeur jusqu'à ce que le trait de l'index indique la profondeur désirée et bloquez la tige en serrant fermement le bouton de l'index de profondeur.
4. La profondeur de coupe désirée peut maintenant être atteinte en enfonçant la défonceuse jusqu'à ce que la tige de profondeur touche la butée choisie sur la tourelle.

FIG. 14



USINAGES PROFONDS

Pour faire des usinages profonds, faites des passes successives de profondeur croissante en commençant avec la butée la plus haute de la tourelle et, après chaque passe, en positionnant la tourelle de profondeur au choix sur des butées progressivement plus basses jusqu'à ce que la profondeur finale (butée la plus basse ou surface plate de la tourelle) soit atteinte. Les butées sont échelonnées en hauteur tous les 1/8 po.

Pour vous assurer que vos réglages de profondeur sont corrects, vous pouvez faire des essais sur des chutes avant de commencer l'usinage.

RÉGLAGE FIN

L'embase plongeante RA1186 est dotée d'un système de réglage fin qui permet de faire un réglage micrométrique de la profondeur de plongée du fer de la défonceuse, apportant ainsi une grande précision d'usinage.

Chaque tour complet de la molette de réglage fin règle la profondeur de plongée de 1/32 po et chacun des quatre repères sur le bouton représente 1/128 po. Un des quatre repères est plus grand que les autres pour permettre de visualiser un tour complet. Un trait de référence est intégré à la tige de profondeur.

Pour utiliser le bouton de réglage fin, une fois que la tige de profondeur et que la tourelle ont été réglés, vérifiez le réglage final de la profondeur ainsi que le réglage fin comme suit :

Pour augmenter la profondeur de manière micrométrique, relevez la molette de réglage fin en la tournant en sens anti-horaire de la valeur désirée.

Pour diminuer la profondeur de manière micrométrique, abaissez la molette de réglage fin en la tournant en sens horaire de la valeur désirée.

Remarques :

- Quand on effectue un réglage micrométrique de la profondeur de plongée, il est plus facile de déplacer la molette de réglage fin vers le haut que vers le bas. Avant de régler la tige de profondeur et la tourelle, donnez plusieurs tours vers le bas à la molette de réglage fin pour l'éloigner de sa position haute afin d'avoir la possibilité de la régler vers le haut.
- La molette de réglage fin ne peut pas être utilisée pour réduire la profondeur de plongée si la tige de profondeur est déjà en contact avec une butée de la tourelle. Il faut relever la défonceuse avant de pouvoir effectuer ce type de réglage.

INTERRUPTEUR À BASCULE MARCHÉ/ARRÊT

Votre outil peut être mis en marche ou à l'arrêt à l'aide de l'interrupteur à bascule situé sur le carter du moteur. Un côté de l'interrupteur est marqué « I » pour « ON », et l'autre côté est marqué « O » pour « OFF ». En outre, le bord de l'interrupteur est rouge lorsque l'interrupteur est en position de marche.

POUR METTRE L'OUTIL EN MARCHÉ : Poussez le côté de l'interrupteur marqué « I ».

POUR METTRE L'OUTIL À L'ARRÊT : Poussez le côté de l'interrupteur marqué « O ».

Tenez toujours la toupie hors de l'ouvrage en mettant l'interrupteur en marche ou à l'arrêt. Mettez la toupie en contact avec l'ouvrage après que la toupie ait atteint son régime maximal, et retirez-la de l'ouvrage avant de mettre l'interrupteur à l'arrêt. Le fonctionnement de cette manière prolongera la durée de l'interrupteur et du moteur, et augmentera grandement la qualité de votre travail (Fig. 1).

MARCHÉ-ARRÊT DE L'OUTIL AVEC INTERRUPTEUR À GÂCHETTE ET BOUTON DE BLOCAGE EN POSITION DE MARCHÉ (Modèles 1618 et 1618EVS seulement)

L'outil est mis sous tension par l'interrupteur à bascule situé sur le dessus du carter du moteur comme décrit ci-dessus. Votre outil peut maintenant être mis en marche ou à l'arrêt en pressant ou en relâchant la gâchette. Votre outil est également pourvu d'un bouton de blocage en marche situé tout juste au-dessus de la gâchette qui permet le fonctionnement continu sans devoir tenir la gâchette (Fig. 2).

POUR BLOQUER L'INTERRUPTEUR EN MARCHÉ : Appuyez sur la gâchette, appuyez sur le bouton et relâchez la gâchette.

POUR DÉBLOQUER L'INTERRUPTEUR : Appuyez sur la gâchette et relâchez-la sans devoir appuyer sur le bouton de blocage en marche.

⚠ AVERTISSEMENT Le relâchement de la gâchette est impossible si le bouton de blocage en marche est maintenu enfoncé.

Sur les modèles 1617 et 1618, tenez l'outil des deux mains tout en mettant l'outil en marche, car le couple du moteur peut faire tordre l'outil.

DÉPART EN DOUCEUR

(Modèles 1617EVS et 1618EVS uniquement)

Un système d'asservissement électronique minimise le contrecoup du couple de démarrage (un défaut habituel des défonceuses puissantes) en limitant la vitesse de démarrage du moteur.

VARIATEUR ÉLECTRONIQUE DE VITESSE (Modèles 1617EVS et 1618EVS uniquement)

Le variateur électronique de vitesse permet de régler le régime du moteur en fonction de la taille du couteau et la dureté du matériau pour améliorer la qualité de la finition, prolonger la durée du fer et assurer un meilleur rendement. On change la vitesse en tournant le cadran à DROITE pour l'augmenter, à GAUCHE pour la diminuer, comme il est indiqué sur le carter (fig. 1). De même, on peut changer la vitesse pendant que l'outil est en marche. Les repères du cadran facilitent le réglage à la vitesse désirée. Le tableau ci-dessous montre les réglages recommandés par rapport à diverses applications. Toutefois, la qualité des réglages relève de l'expérience et de la compétence de l'utilisateur.

Le tableau des vitesses indique le rapport entre la vitesse et le travail à effectuer. La vitesse exacte est à déterminer suivant l'expérience et la préférence de l'utilisateur ou selon les recommandations du fabricant du fer.

POSITION DU CADRAN

TR/MIN	APPLICATION
1 8000	} Métaux non-ferreux, fers et couteaux de grands diamètres
2 13500	
3 16500	
4 20000	} Bois tendres, plastiques, plans de travail, couteaux et fers de petit diamètre
5 21500	
6 25000	

CIRCUIT CONSTANT RESPONSE™

Le circuit Constant Response™ de la défonceuse contrôle la puissance et la règle pour maintenir la vitesse désirée afin de régulariser la performance de la machine et de rendre celle-ci plus facile à maîtriser.

AVANCE DE LA DÉFONCEUSE

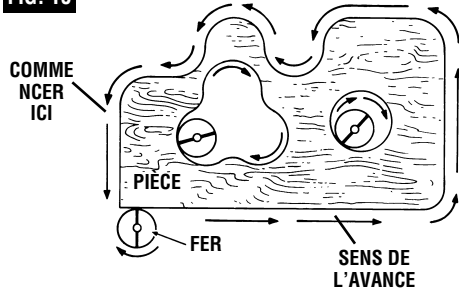
Vu du dessus de la défonceuse, le fer tourne en sens horaire et ses bords tranchants sont conçus pour ce sens de rotation. Ainsi, l'usinage est plus efficace s'il se fait en poussant à l'opposé du sens de rotation du bord tranchant du fer plutôt que dans le même sens. La Figure 15 illustre le sens correct de l'avance pour divers types de toupillage. La vitesse d'avance dépend de la dureté du matériau et de la profondeur de la coupe. Dans certains matériaux, il est préférable de faire plusieurs passes en augmentant la profondeur à chaque fois.

Si la défonceuse est difficile à maîtriser, chauffe, tourne très lentement ou coupe mal, envisagez les causes suivantes :

1. Mauvais sens d'avance – Difficile à maîtriser.
2. Avance trop rapide – Moteur surchargé
3. Fer émoussé – Moteur surchargé
4. Coupe trop profonde pour faire en une seule passe – Moteur surchargé
5. Avance trop lente – Laisse des brûlures dues au frottement du fer sur la pièce.

Faites avancer la machine régulièrement et sans hésitation (ne forcez pas). Vous apprendrez rapidement à reconnaître le fonctionnement optimum de la défonceuse au son qu'elle produit et à son comportement.

FIG. 15



VITESSE D'AVANCE

Lors du toupillage ou de travaux similaires dans le bois et le plastique, la meilleure finition s'obtient en réglant la passe et la vitesse d'avance de manière à laisser le moteur tourner à haute vitesse. Faites avancer la défonceuse à une vitesse modérée. Les matériaux tendres nécessitent une vitesse d'avance plus élevée que les matériaux durs.

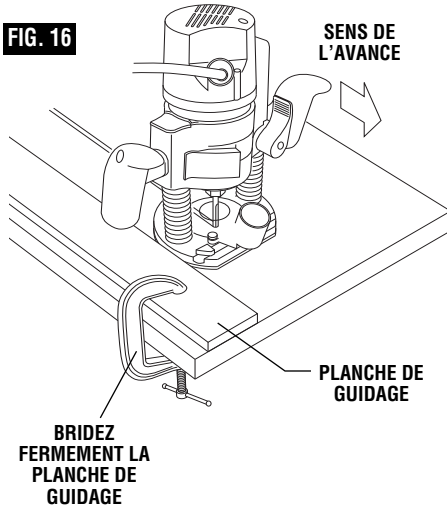
Il se peut que la défonceuse cale si elle est utilisée incorrectement ou si elle est surchargée. Réduisez la vitesse d'avance pour éviter d'abîmer votre machine. Assurez-vous toujours que la douille est serrée fermement avant d'utiliser la machine. Utilisez toujours les fers les plus courts possibles qui produisent la coupe désirée afin de minimiser le battement et les vibrations du fer.

GUIDAGE DE LA DÉFONCEUSE

La défonceuse peut être guidée dans la pièce de plusieurs manières. La méthode que vous utiliserez dépendra bien entendu de la tâche à effectuer et de ce qui semble le plus pratique.

Pour les opérations de toupillage telles que le rainurage en long ou en travers, il est souvent nécessaire de guider la machine parallèlement à un bord droit. Par exemple, on peut effectuer un toupillage droit en bridant fermement une planche ou une règle sur la pièce et en guidant le bord de la sous-embase de la défonceuse le long de ce guide. (Fig. 16)

FIG. 16



CENTRAGE DE LA SOUS-EMBASE ET DES GUIDES DE GABARIT

Votre défonceuse est conçue selon le « modèle de centrage de précision » de Bosch. Sa sous-embase est centrée de façon précise à l'usine. Ceci positionne le fer au centre de la sous-embase et des guides de gabarit optionnels. Le centrage de précision vous permet de suivre de près des calibres tels que les guides rectilignes, les gabarits et les dispositifs à queue d'aronde, sans se soucier de ce que le fer dévie de la ligne de coupe recherchée pour quelque raison que ce soit, y compris l'orientation des poignées de la défonceuse.

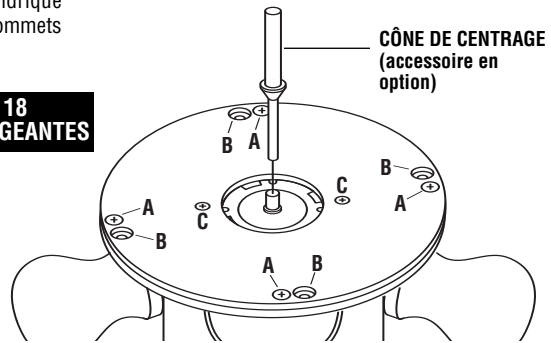
Au cas où les vis de la sous-embase seraient desserrées ou enlevées, comme lors de la préparation de la défonceuse pour utilisation dans une table de défonceuse, voici comment recentrer la sous-embase quand vous la rattachez :

Pour recentrer rapidement la sous-embase, attachez-la en utilisant le jeu de vis à tête plate (inclus) et les trous de vis noyées dans la sous-embase. (Les vis à tête plate sont celles à tête conique.) Les vis à tête plate et les trous noyés vont entraîner la sous-embase dans une position qui est très proche de la position centrée.

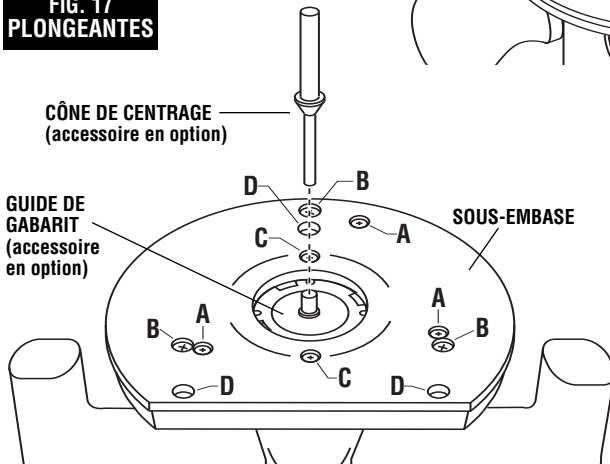
OU — Pour recentrer la sous-embase le plus précisément possible, attachez-la en utilisant le cône de centrage optionnel Bosch, un guide de gabarit optionnel Bosch, et le jeu de vis à tête cylindrique (inclus). (Les vis à tête cylindrique ont des sommets arrondis.) Suivez les étapes 1 à 8.

1. Positionnez la sous-embase de sorte que les trous de vis à tête cylindrique soient situés au-dessus de l'ensemble assorti de trous taraudés dans l'embase.
2. Insérez les vis à tête cylindrique, et non pas les vis à tête plate, à travers la sous-embase, et serrez-les jusqu'à ce qu'elles soient sans jeu ni serrage, mais permettez toujours à la sous-embase de bouger.
3. Insérez le guide de gabarit (accessoire optionnel), l'adaptateur de guide de gabarit installé tel qu'il est décrit dans les autres pages de ce manuel.
4. Glissez le cône de centrage (accessoire optionnel) à travers le guide de gabarit et dans la douille. Utilisez l'extrémité étroite du cône lors de l'insertion dans une douille d'1/4 po, et l'extrémité plus large du cône lors de l'insertion dans une douille d'1/2 po.
5. Serrez l'écrou de douille avec les doigts pour obtenir un léger serrage sur le cône de centrage.
6. Pressez légèrement le cône de centrage pour le faire entrer dans le guide de gabarit vers le guide central et la sous-embase.
7. Serrez les vis à tête cylindrique.
8. Retirez le cône de centrage. Le centrage de précision du guide de gabarit et de la sous-embase est complet.

**FIG. 18
NON PLONGEANTES**



**FIG. 17
PLONGEANTES**

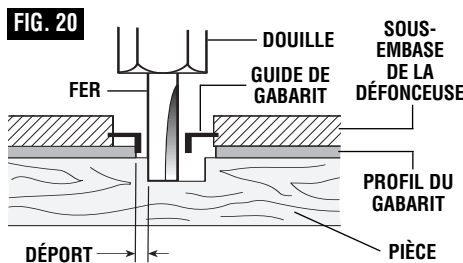
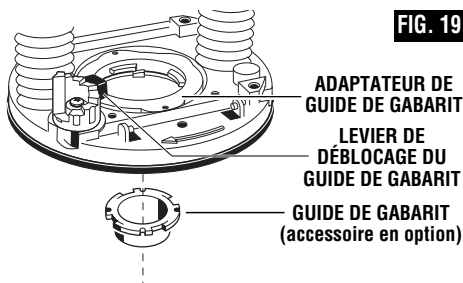


- A = TROUS DE VIS NOYÉES**
- B = TROUS DE VIS À TÊTE CYLINDRIQUE**
- C = TROUS DE VIS POUR ADAPTATEUR DE GUIDE DE GABARIT**
- D = TROUS POUR ATTACHER LA DÉFONCEUSE À LA PLAQUE DE MONTAGE DE LA TABLE DE LA DÉFONCEUSE**

GUIDES DE GABARIT

La défonceuse est munie d'un adaptateur de guide de gabarit exclusif à changement rapide. Il pince fermement les guides à l'aide d'une bague rappelée par ressort. Pour insérer ou changer un guide de gabarit, rétracter le levier de déblocage de guide de gabarit. Alignez les encoches du guide de gabarit avec les languettes situées au fond de l'adaptateur de guide de gabarit. Enfoncez le guide de gabarit et relâchez le levier pour pincer le guide de gabarit et le maintenir en place (Fig. 19).

Les guides de gabarit s'utilisent avec un certain nombre d'accessoires spéciaux tels que les gabarits de charnière qui se trouvent dans votre catalogue BOSCH. Par ailleurs, il est facile de fabriquer des gabarits spéciaux pour toupiller des profils à répétition, des profils spéciaux, de la marqueterie et autres travaux. On peut fabriquer un gabarit à partir de contre-plaqué, de panneaux de fibres comprimées, de métal ou même de plastique. Le profil peut être coupé à la défonceuse, à la scie sauteuse ou tout autre outil coupant qui convient. Souvenez-vous que le profil doit être coupé en tenant compte de la distance entre le fer de la défonceuse et le guide de gabarit (déport). La pièce terminée ne sera pas de la même taille que le profil du gabarit, la différence étant



la valeur du déport à cause de la position du fer dans le guide (Fig. 20).

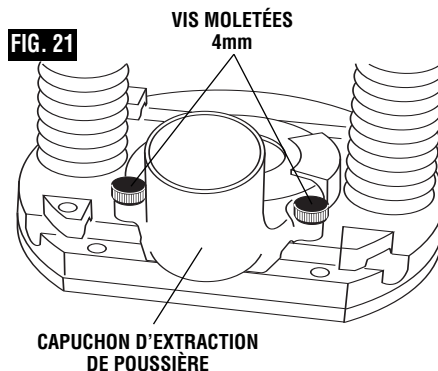
RAMASSAGE DES POUSSIÈRES SUR DÉFONCEUSE

Il y a trois capuchons d'aspiration des poussières (accessoires en option). Chacun de ces capuchons d'aspiration des poussières est dimensionné pour se raccorder à un flexible d'aspiration de 35 mm. Chaque ensemble d'accessoire comprend l'adaptateur VAC002 qui permet de raccorder le capuchon à des flexibles d'aspiration de 1-1/4 po et 1-1/2 po. Un adaptateur pour se raccorder à un flexible de 2-1/2 po est également disponible séparément.

RAMASSAGE DES POUSSIÈRES DE LA DÉFONCEUSE AVEC EMBASE PLONGEANTE

Le capuchon d'aspiration RA1174 est conçu pour s'utiliser avec l'embase plongeante (RA1166) quand le toupillage est effectué au milieu de la pièce, comme par exemple lors de l'usinage de rainures ou de profils de marqueterie. Si vous avez un système d'aspiration d'atelier, vous pouvez monter le capuchon d'aspiration de manière à améliorer la visibilité, la précision et l'utilité de l'outil, plus spécialement lors du toupillage à main levée.

Pour monter le capuchon, positionnez-le comme indiqué et fixez l'adaptateur à l'embase à l'aide des vis moletées fournies (Fig. 21).



Le capuchon d'aspiration des poussières peut également être installé avec son raccord tourné vers l'avant de l'outil. Si l'adaptateur de guidage pour gabarit est installé, il faudra le retourner ou l'enlever pour permettre au levier de déblocage de se loger sous le capuchon.

⚠ AVERTISSEMENT Éloignez-vous de la zone du fer quand la défonceuse est en marche ou branchée. Pour empêcher les tuyaux de s’emmêler, n’utilisez pas ce capuchon d’extraction de poussière en même temps qu’un autre capuchon d’extraction de poussière quel qu’il soit.

Le capuchon d’aspiration des poussières RA1171 est conçu pour être utilisé avec les embases de défonceuse Bosch de type ‘S’ (RA 1160) et de type ‘D’ (RA1162) pour toupiller au milieu d’une pièce, comme par exemple lors de l’usinage de rainures ou de profils de marqueterie

Pour fixer le capuchon à l’embase de défonceuse, glissez celui-ci à l’arrière de l’embase de défonceuse avec ses coins arrondis vers le haut (Fig. 22 et 23). Serrez fermement les deux vis moletées.

Pour améliorer le rendement d’aspiration des poussières, assurez-vous que le pare-copeaux est en place.

FIG. 22

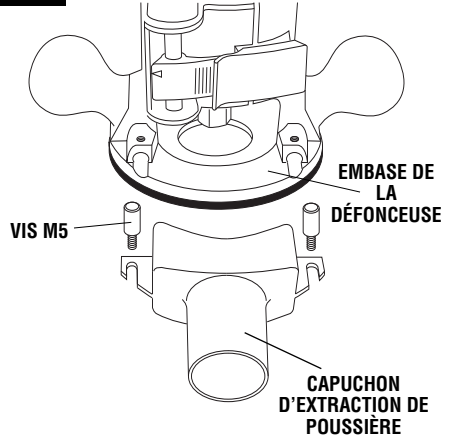
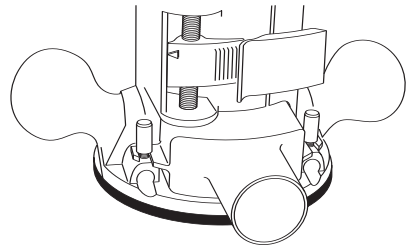


FIG. 23



RAMASSAGE DE POUSSIÈRE LORS DU MOULRAGE DE CHANTS

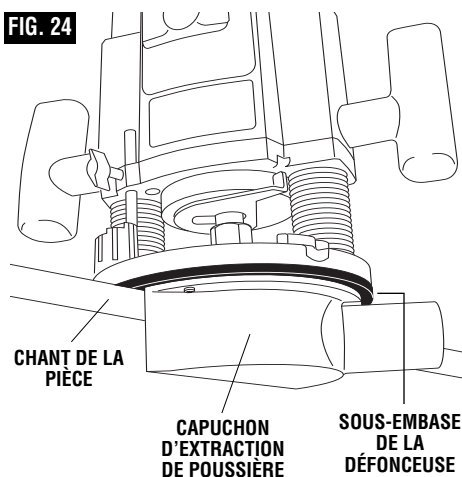
⚠ AVERTISSEMENT Éloignez-vous de la zone du fer tant que la défonceuse est en marche ou branchée. Pour éviter d'emmêler les tuyaux, n'utilisez pas ce capuchon d'extraction en même temps qu'un autre capuchon d'extraction, quel qu'il soit.

Le capuchon de ramassage de poussière RA1170 (accessoire en option) est utilisé pour ramasser la poussière produite lors du moulrage de chants (Fig. 24).

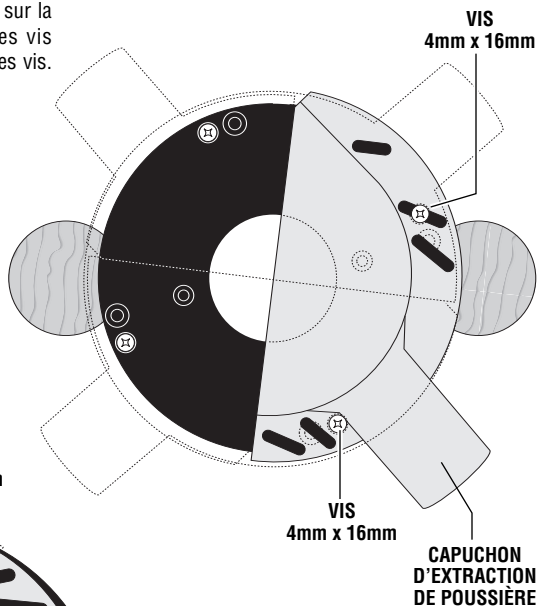
MONTAGE DU CAPUCHON D'ASPIRATION DES POUSSIÈRES

Vous pouvez fixer le capuchon pour toupillage de chants à des emplacements différents suivant vos besoins ou préférences. Ce capuchon est fixé sur deux des trous de vis de l'embase qui servent à monter la sous-embase de la défonceuse. Choisissez l'emplacement désiré pour le capuchon. Desserrez et enlevez les deux vis de l'embase de la défonceuse et fixez le capuchon d'aspiration des poussières – sur la sous-embase de la défonceuse – à l'aide des vis fournies avec le capuchon. Serrez fermement les vis. (Figures 25 et 26).

FIG. 24



**FIG. 26
OTHER BASES**



**FIG. 25
PLUNGE BASE**

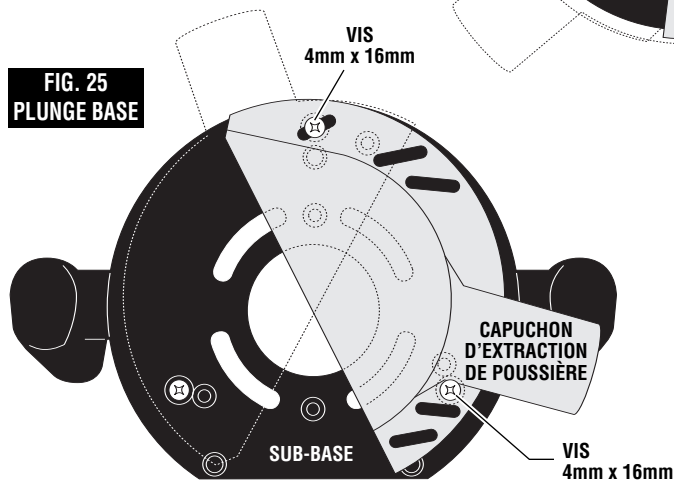
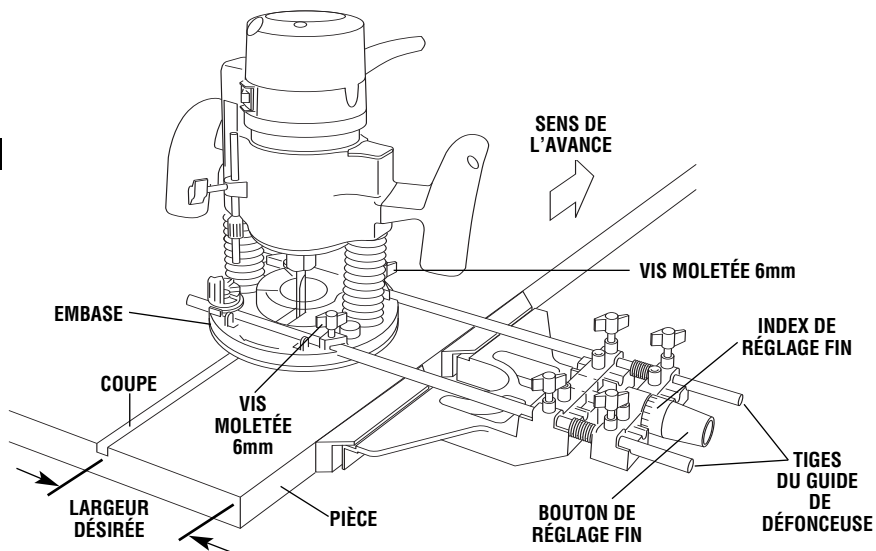


FIG. 27



**GUIDE DE DÉFONCEUSE DE LUXE
(Non compris, disponible en accessoire)**

Le guide de défonceuse de luxe Bosch est un accessoire en option qui guide la défonceuse parallèlement à un chant droit ou qui vous permet de créer des cercles ou des arcs de cercle.

Le guide de défonceuse de luxe est fourni avec deux tiges et des vis pour le fixer (Fig. 27). De plus, il est muni d'un bouton de réglage fin et d'un curseur permettant de positionner précisément le guide par rapport au fer. Une fois le guide installé et réglé, la défonceuse doit être poussée normalement en

maintenant le guide en contact permanent avec le bord de la pièce. Le guide de défonceuse de luxe peut également être placé directement en dessous de l'embase de la défonceuse pour les tâches qui nécessitent de travailler près du bord de la pièce.

Le guide de défonceuse de luxe comprend un capuchon d'aspiration des poussières et l'adaptateur VAC002 pour flexible d'aspiration.

Des consignes complètes d'utilisation et d'installation sont incluses avec cet accessoire. Veuillez vous y référer.

UTILISATION EN TABLE DE TOUPILLAGE

Votre défonceuse peut également être utilisée en table de toupillage. L'embase fixe RA1160 est conçue pour permettre un réglage facile de la profondeur lors de l'utilisation sous table de toupillage. L'embase de type 'D' à poignées en 'D' No.RA1172 ne peut pas se monter sur la plupart des tables de toupillage.

MISE EN GARDE L'embase plongeante RA1166 n'est pas recommandée pour être utilisée en table de toupillage. On peut abîmer l'embase de la défonceuse plongeante.

Pour installer l'embase RA1160 sous une table, il suffit d'enlever la sous-embase et de fixer l'embase à votre table de toupillage à l'aide de trois vis à machine No 10-24 ou de quatre vis à machine de 4 mm. La longueur de vis à utiliser dépend de l'épaisseur de votre table de toupillage ou de votre plaque de montage pour table de toupillage. Pour les tables de toupillage Bosch, la longueur de vis correcte est 3/4 po ou 20 mm.

Pour éviter d'avoir à monter votre propre embase de défonceuse sous la table de toupillage pour devoir ensuite la démonter pour la reconverter en défonceuse portable, Bosch offre en option l'embase de montage sous table RA1164 (Fig. 28). Cette embase est conçue pour être montée sous votre table de manière permanente, laissant ainsi vos autres embases de défonceuse prêtes à l'emploi pour des tâches qui ne nécessitent pas la table de toupillage. Le moteur peut être échangé rapidement entre les embases – et sans outils !

L'embase de montage sous table en accessoire comprend les vis nécessaires au montage de l'embase sur une plaque de montage pour table de toupillage ainsi que la rallonge de la commande de réglage fin de la profondeur (Fig. 12).

Des consignes complètes d'utilisation d'une défonceuse en table de toupillage et des renseignements au sujet de l'embase de montage sous table sont inclus avec la table de toupillage et avec l'embase de montage sous table. Veuillez vous y référer.

L'embase de type 'D' à poignées en 'D' No RA1172 ne peut pas être montée sous les tables de toupillage Bosch.

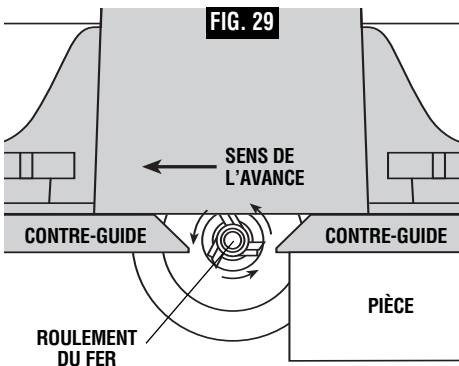
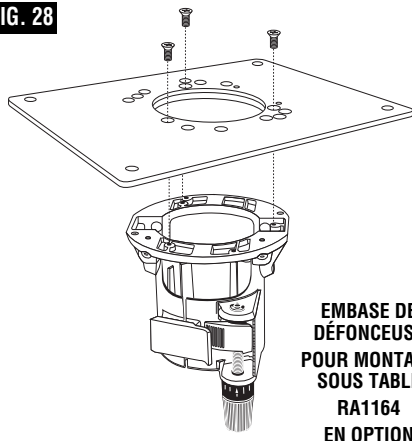
AVANCE DE LA PIÈCE SUR UNE TABLE DE TOUPILLAGE

Utilisez toujours le guide de votre table ou le goujon d'appui et le capot approprié et suivez le mode d'emploi de votre table de toupillage.

Poussez TOUJOURS la pièce de droite à gauche en la faisant passer sur le devant du fer. Sur les tables de toupillage Bosch, le sens d'avance correct est également indiqué sur le boîtier du guide ainsi que sur les planches en éventail si ces accessoires ont été installés correctement. (Fig. 29)

Si possible, quand vous utilisez le guide, employez une baguette pour pousser la pièce, surtout pour les pièces étroites.

FIG. 28



VUE DE DESSUS

REMARQUE : le capot et les planches en éventail ont été enlevées pour clarifier la figure.

Entretien

Service

⚠ AVERTISSEMENT Tout entretien préventif effectué par des personnels non autorisés peut résulter en mauvais placement de fils internes ou de pièces, ce qui peut présenter un danger grave. Nous vous conseillons de faire faire tout l'entretien par un centre de service d'usine Bosch ou une station service agréée Bosch.

LUBRIFICATION DE L'OUTIL

Votre outil Bosch a été lubrifié correctement en usine et il est prêt à l'utilisation. Nous vous conseillons de re-graisser les outils qui comportent des engrenages avec un lubrifiant à engrenages spécial à chaque fois que vous changez les balais.

BALAIS OU CHARBONS

Les balais (ou charbons) et le collecteur de votre outil ont été conçus pour apporter de nombreuses heures de fonctionnement fiable. Pour maintenir le rendement du moteur à son maximum, nous vous conseillons de contrôler les balais tous les deux à six mois. Il ne faut utiliser que des balais de rechange Bosch d'origine et conçus pour votre outil.

PALIERIERS

Après environ 300 à 400 heures de fonctionnement ou tous les deux changements de balais, il est conseillé

de faire remplacer les paliers par un centre de service d'usine Bosch ou une station service agréée Bosch. Si les paliers commencent à faire du bruit (à cause de surcharges importantes ou du toupillage de matériaux très abrasifs) il faut les faire remplacer immédiatement pour éviter la surchauffe ou une panne de moteur.

Nettoyage

⚠ AVERTISSEMENT Pour éviter les accidents, il faut toujours débrancher l'outil avant de le nettoyer ou de l'entretenir. Le meilleur moyen de nettoyer l'outil est d'utiliser de l'air comprimé sec. Il faut toujours porter des lunettes de protection quand on utilise de l'air comprimé.

Les ouïes de ventilation et les leviers de l'interrupteur doivent rester propres et exempts de corps étrangers. Ne tentez pas de les nettoyer en enfonçant des objets pointus dans les orifices.

⚠ MISE EN GARDE Certains agents de nettoyage et certains dissolvants abîment les pièces en plastique. Parmi ceux-ci se trouvent: l'essence, le tétrachlorure de carbone, les dissolvants de nettoyage chlorés, l'ammoniaque ainsi que les détergents domestiques qui en contiennent.

Accessoires

⚠ AVERTISSEMENT Si un cordon de rallonge s'avère nécessaire, vous devez utiliser un cordon avec conducteurs de dimension adéquate pouvant porter le courant nécessaire à votre outil. Ceci préviendra une chute excessive de tension, une perte de courant ou une surchauffe. Les outils mis à la terre doivent utiliser des cordons de rallonge trifilaires pourvus de fiches à trois broches ainsi que des prises à trois broches.

REMARQUE : Plus le calibre est petit, plus le fil est gros.

- Mandrin à douille de 1/4 po *
- Mandrin à douille de 1/2 po *
- Clé d'arbre de 16 mm *
- Clé de 24 mm pour écrou de douille *
- Mandrin à douille de 3/8 po **
- Mandrin à douille de 8 mm **
- Guide de défonceuse de luxe **
- Cône de centrage **
- Coffret de transport (standard avec 1617K, 1617EVSK, 1617PK, 1617EVSPK seulement)
- Capuchons d'aspiration des poussières **

DIMENSIONS DE RALLONGES RECOMMANDÉES OUTILS 120 VOLTS COURANT ALTERNATIF

Intensité nominale de l'outil	Calibre A.W.G.				Calibre en mm ²			
	Longueur en pieds		Longueur en mètres		Longueur en pieds		Longueur en mètres	
	25	50	100	150	15	30	60	120
3-6	18	16	16	14	0,75	0,75	1,5	2,5
6-8	18	16	14	12	0,75	1,0	2,5	4,0
8-10	18	16	14	12	0,75	1,0	2,5	4,0
10-12	16	16	14	12	1,0	2,5	4,0	—
12-16	14	12	—	—	—	—	—	—

- Capuchon d'aspiration des poussières pour toupillage de chants **
- Rallonge de commande de réglage fin **
- Embase de montage sous table avec rallonge de commande de réglage fin **
- Tables de toupillage **
- Guides de gabarit à déverrouillage rapide **
- Adaptateur pour guides de gabarit de type standard **

(* = équipement standard)

(** = accessoires en option)

Normas de seguridad para herramientas mecánicas



ADVERTENCIA Lea y entienda todas las instrucciones. El incumplimiento de todas las instrucciones indicadas a continuación puede dar lugar a sacudidas eléctricas, incendios y/o lesiones personales graves.

CONSERVE ESTAS INSTRUCCIONES

Área de trabajo

Mantenga el área de trabajo limpia y bien iluminada. Las mesas desordenadas y las áreas oscuras invitan a que se produzcan accidentes.

No utilice herramientas mecánicas en atmósferas explosivas, tales como las existentes en presencia de líquidos, gases o polvos inflamables. Las herramientas mecánicas generan chispas y éstas pueden dar lugar a la ignición del polvo o los vapores.

Mantenga a las personas que se encuentren presentes, a los niños y a los visitantes alejados al utilizar una herramienta mecánica. Las distracciones pueden hacer que usted pierda el control.

Seguridad eléctrica

Las herramientas con aislamiento doble están equipadas con un enchufe polarizado (un terminal es más ancho que el otro). Este enchufe entrará en un tomacorriente polarizado solamente de una manera. Si el enchufe no entra por completo en el tomacorriente, déle la vuelta. Si sigue sin entrar, póngase en contacto con un electricista competente para instalar un tomacorriente polarizado. No haga ningún tipo de cambio en el enchufe. El aislamiento doble elimina la necesidad del sistema de cordón de energía de tres hilos conectado a tierra y la fuente de energía conectada a tierra. *Antes de enchufar la herramienta, asegúrese de que la tensión del tomacorriente suministrada se encuentre dentro del margen de la tensión especificada en la placa del fabricante. No utilice herramientas con capacidad nominal "AC solamente" ("AC only") con una fuente de energía DC.*

Evite el contacto del cuerpo con las superficies conectadas a tierra tales como tuberías, radiadores, estufas de cocina y refrigeradores. Hay mayor riesgo de que se produzcan sacudidas eléctricas si su cuerpo está conectado a tierra. Si la utilización de la herramienta mecánica en lugares húmedos es inevitable, se debe usar un interruptor de circuito para fallos a tierra para suministrar la energía a la herramienta. Los guantes de goma para electricista y el calzado antideslizante aumentarán más la seguridad personal.

No exponga las herramientas mecánicas a la lluvia ni a situaciones húmedas. La entrada de agua en una herramienta mecánica aumentará el riesgo de que se produzcan sacudidas eléctricas.

No abuse del cordón. Nunca use el cordón para llevar las herramientas ni para sacar el enchufe de un tomacorriente. Mantenga el cordón alejado del calor, el aceite, los bordes afilados o las piezas móviles. Cambie los cordones dañados inmediatamente. Los cordones dañados aumentan el riesgo de que se produzcan sacudidas eléctricas.

Al utilizar una herramienta mecánica a la intemperie, utilice un cordón de extensión para intemperie marcado "W-A" o "W". Estos cordones tienen capacidad nominal para uso a la intemperie y reducen el riesgo de que se produzcan sacudidas eléctricas. Consulte "Tamaños recomendados de los cordones de extensión" en la sección Accesorios de este manual.

Seguridad personal

Manténgase alerta, fíjese en lo que está haciendo y use el sentido común cuando utilice una herramienta mecánica. No use la herramienta cuando esté cansado o se encuentre bajo la influencia de drogas, alcohol o medicamentos. Un momento de distracción al utilizar herramientas mecánicas puede dar lugar a lesiones personales graves.

Vístase adecuadamente. No se ponga ropa holgada ni joyas. Sujétese el pelo. Mantenga el pelo, la ropa y los guantes alejados de las piezas móviles. La ropa holgada, las joyas o el pelo largo pueden quedar atrapados en las piezas móviles. Mantenga los mangos secos, limpios y libres de aceite y grasa.

Evite el arranque accidental. Asegúrese de que el interruptor esté en la posición "OFF" (apagado) antes de enchufar la herramienta. El llevar las herramientas con el dedo en el interruptor o el enchufar herramientas que tengan el interruptor en la posición "ON" (encendido) invita a que se produzcan accidentes.

Quite las llaves de ajuste o de tuerca antes de encender la herramienta. Una llave de ajuste o de tuerca que se deje puesta en una pieza giratoria de la herramienta puede ocasionar lesiones personales.

No intente alcanzar demasiado lejos. Mantenga un apoyo de los pies y un equilibrio adecuados en todo momento. El apoyo de los pies y el equilibrio adecuados permiten un mejor control de la herramienta en situaciones inesperadas.

Utilice equipo de seguridad. Use siempre protección de los ojos. Se debe utilizar una máscara antipolvo, zapatos de seguridad antideslizantes, casco o protección de los oídos según lo requieran las condiciones.

Utilización y cuidado de las herramientas

Utilice abrazaderas u otro modo práctico de fijar y soportar la pieza de trabajo a una plataforma estable. La sujeción de la pieza de trabajo con la mano o contra el cuerpo resulta inestable y puede ocasionar pérdida de control.

No fuerce la herramienta. Use la herramienta correcta para la aplicación que desea. La herramienta correcta hará el trabajo mejor y con más seguridad a la capacidad nominal para la que está diseñada.

No utilice la herramienta si el interruptor no la enciende o apaga. Toda herramienta que no se pueda controlar con el interruptor es peligrosa y debe ser reparada.

Desconecte el enchufe de la fuente de energía antes de hacer cualquier ajuste, cambiar accesorios o guardar la herramienta. Estas medidas de seguridad preventivas reducen el riesgo de arrancar la herramienta accidentalmente.

Guarde las herramientas que no esté usando fuera del alcance de los niños y otras personas no capacitadas. Las herramientas son peligrosas en las manos de los usuarios no capacitados.

Mantenga las herramientas con cuidado. Conserve las herramientas de corte afiladas y limpias. Las herramientas mantenidas adecuadamente, con bordes de corte afilados, tienen menos probabilidades de atascarse y son más fáciles de controlar. Toda alteración o modificación constituye un uso incorrecto y puede tener como resultado una situación peligrosa.

Compruebe la desalineación o el atasco de las piezas móviles, la ruptura de piezas y cualquier otra situación que pueda afectar el funcionamiento de las herramientas. Si la herramienta está dañada, haga que realicen un servicio de ajustes y reparaciones a la herramienta antes de usarla. Muchos accidentes son causados por herramientas mantenidas deficientemente.

Establezca un programa de mantenimiento periódico para la herramienta.

Utilice únicamente accesorios que estén recomendados por el fabricante de su modelo. Los accesorios que pueden ser adecuados para una herramienta pueden volverse peligrosos cuando se utilizan en otra herramienta.

Servicio

El servicio de ajustes y reparaciones de una herramienta debe ser realizado únicamente por personal de reparaciones competente. El servicio o mantenimiento realizado por personal no competente podría ocasionar un peligro de que se produzcan lesiones. Por ejemplo: Los cables internos pueden colocarse mal o pellizcarse, los resortes de retorno de los protectores de seguridad pueden montarse inadecuadamente.

Al realizar servicio de ajustes y reparaciones de una herramienta, utilice únicamente piezas de repuesto idénticas. Siga las instrucciones que aparecen en la sección Mantenimiento de este manual. El uso de piezas no autorizadas o el incumplimiento de las instrucciones de Mantenimiento puede ocasionar un peligro de que se produzcan sacudidas eléctricas o lesiones. Ciertos agentes de limpieza, tales como gasolina, tetracloruro de carbono, amoníaco, etc., pueden dañar las piezas de plástico.

Normas de seguridad para fresadoras

Sujete siempre la herramienta por las superficies de agarre aisladas al realizar una operación en la que la herramienta de corte pueda entrar en contacto con cables ocultos o con su propio cordón. El contacto con un cable con corriente transmitirá corriente a las piezas metálicas al descubierto y hará que el operador reciba sacudidas eléctricas. *Si el corte en paredes existentes u otras áreas ciegas donde puedan existir cables eléctricos es inevitable, desconecte todos los fusibles o cortacircuitos que alimentan el lugar de trabajo.*

Asegúrese siempre de que la superficie de trabajo no tenga clavos ni otros objetos extraños. El corte de un clavo puede hacer que la broca y la herramienta salten y que la broca se dañe.

Nunca tenga la pieza de trabajo en una mano y la herramienta en la otra al utilizarla. Nunca ponga las manos cerca o debajo de la superficie de corte. Es más seguro fijar con abrazaderas el material y guiar la herramienta con ambas manos.

Nunca ponga la pieza de trabajo sobre superficies duras, tales como hormigón, piedra, etc... la broca de corte que sobresale podrá hacer que la herramienta salte.

Use siempre gafas de seguridad y máscara antipolvo. Use la herramienta únicamente en un área bien ventilada. La utilización de dispositivos de seguridad personal y el trabajar en un entorno seguro reducen el riesgo de que se produzcan lesiones.

Después de cambiar las brocas o de hacer ajustes, asegúrese de que la tuerca del portaherramienta y otros dispositivos de ajuste estén apretados firmemente. Un dispositivo de ajuste flojo puede desplazarse inesperadamente, causando pérdida de control, y los componentes giratorios flojos saldrán despedidos violentamente.

Nunca arranque la herramienta cuando la broca esté acoplada en el material. El borde de corte de la broca puede engancharse en el material, causando pérdida de control de la cortadora.

Sujete siempre la herramienta con las dos manos durante el arranque. El par de reacción del motor puede hacer que la herramienta se tuerza.

El sentido de avance de la broca en el material es muy importante y está relacionado con el sentido de giro de la broca. Al mirar a la herramienta desde arriba, la broca gira en el sentido de las agujas del reloj. El sentido de avance de corte debe ser en contra de las agujas del reloj. NOTA: Los cortes interiores y exteriores requerirán un sentido de avance distinto; consulte la sección sobre avance de la fresadora. El hacer avanzar la herramienta en sentido incorrecto hace que el borde de corte de la broca se salga de la pieza de trabajo y tire de la herramienta en el sentido de este avance.

Nunca use brocas desafiladas o dañadas. Las brocas afiladas se deben manejar con cuidado. Las brocas

dañadas pueden romperse bruscamente durante el uso. Las brocas desafiladas requieren más fuerza para empujar la herramienta, con lo que es posible que la broca se rompa.

Nunca toque la broca durante ni inmediatamente después de la utilización. Después del uso, la broca está demasiado caliente como para tocarla con las manos desnudas.

Nunca deje la herramienta hasta que el motor se haya detenido por completo. La broca que gira puede engancharse en la superficie y tirar de la herramienta haciendo que usted pierda el control.

Nunca utilice brocas que tengan un diámetro de corte mayor que la abertura de la base.

⚠ ADVERTENCIA Cierta polvo generado por el lijado, aserrado, amolado y taladrado mecánicos, y por otras actividades de construcción, contiene agentes químicos que se sabe que causan cáncer, defectos de nacimiento u otros daños sobre la reproducción. Algunos ejemplos de estos agentes químicos son:

- Plomo de pinturas a base de plomo,
- Sílice cristalina de ladrillos y cemento y otros productos de mampostería, y
- Arsénico y cromo de madera tratada químicamente.

Su riesgo por causa de estas exposiciones varía, dependiendo de con cuánta frecuencia realice este tipo de trabajo. Para reducir su exposición a estos agentes químicos: trabaje en un área bien ventilada y trabaje con equipo de seguridad aprobado, como por ejemplo máscaras antipolvo que estén diseñadas especialmente para impedir mediante filtración el paso de partículas microscópicas.

Símbolos

IMPORTANTE: Es posible que algunos de los símbolos siguientes se usen en su herramienta. Por favor, estúdielos y aprenda su significado. La interpretación adecuada de estos símbolos le permitirá utilizar la herramienta mejor y con más seguridad.

Símbolo	Nombre	Designación/explicación
V	Volt	Tensión (potencial)
A	Ampere	Corriente
Hz	Hertz	Frecuencia (ciclos por segundo)
W	Watt	Potencia
kg	Kilogramo	Peso
min	Minuto	Tiempo
s	Segundo	Tiempo
∅	Diámetro	Tamaño de las brocas taladradoras, muelas, etc
n_0	Velocidad sin carga	Velocidad rotacional sin carga
.../min	Revoluciones o alternación por minuto	Revoluciones, golpes, velocidad de superficie, órbitas, etc., por minuto
0	Posición "off" (apagado)	Velocidad cero, par motor cero...
1, 2, 3, ... I, II, III,	Graduaciones del selector	Graduaciones de velocidad, par motor o posición. Un número más alto significa mayor velocidad
	Selector infinitamente variable con apagado	La velocidad aumenta desde la graduación de 0
	Flecha	Acción en la dirección de la flecha
	Corriente alterna	Tipo o una característica de corriente
	Corriente continua	Tipo o una característica de corriente
	Corriente alterna o continua	Tipo o una característica de corriente
	Construcción de clase II	Designa las herramientas de construcción con aislamiento doble.
	Terminal de toma de tierra	Terminal de conexión a tierra
	Símbolo de advertencia	Alerta al usuario sobre mensajes de advertencia
	Sello RBRC™ de Ni-Cd	Designa el programa de reciclaje de baterías de Ni-Cd



Este símbolo indica que esta herramienta está catalogada por Underwriters Laboratories.



Este símbolo indica que Underwriters Laboratories ha catalogado esta herramienta indicando que cumple las normas canadienses.



Este símbolo indica que esta herramienta cumple con la norma mexicana oficial (NOM).



Este símbolo indica que esta herramienta está catalogada por la Canadian Standards Association.



Este símbolo indica que esta herramienta está catalogada por Underwriters Laboratories y que Underwriters Laboratories la ha catalogado según las normas canadienses.

Descripción funcional y especificaciones

⚠ ADVERTENCIA Desconecte el enchufe de la fuente de energía antes de realizar cualquier ensamblaje o ajuste, o cambiar accesorios. Estas medidas de seguridad preventivas reducen el riesgo de arrancar la herramienta accidentalmente.

Fresadoras

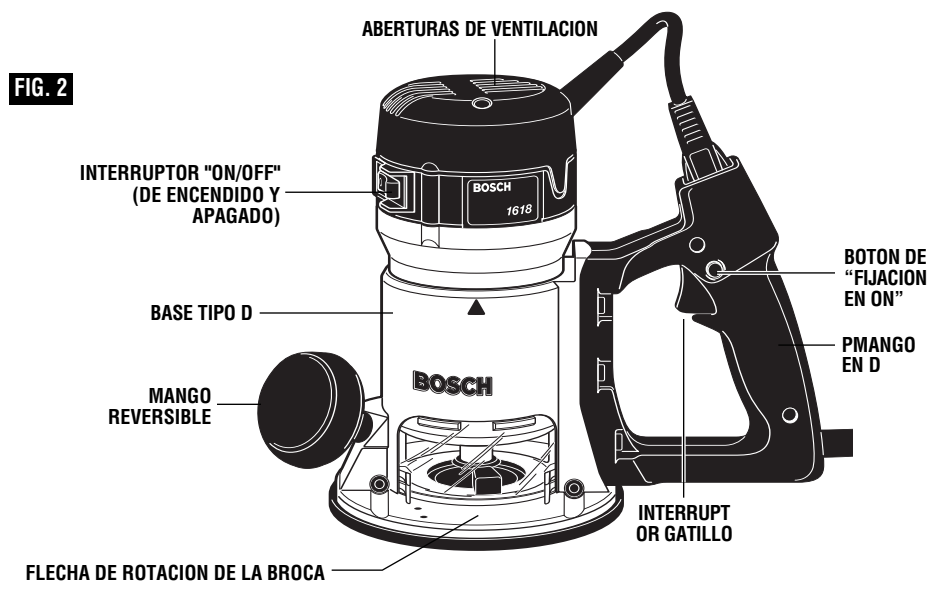
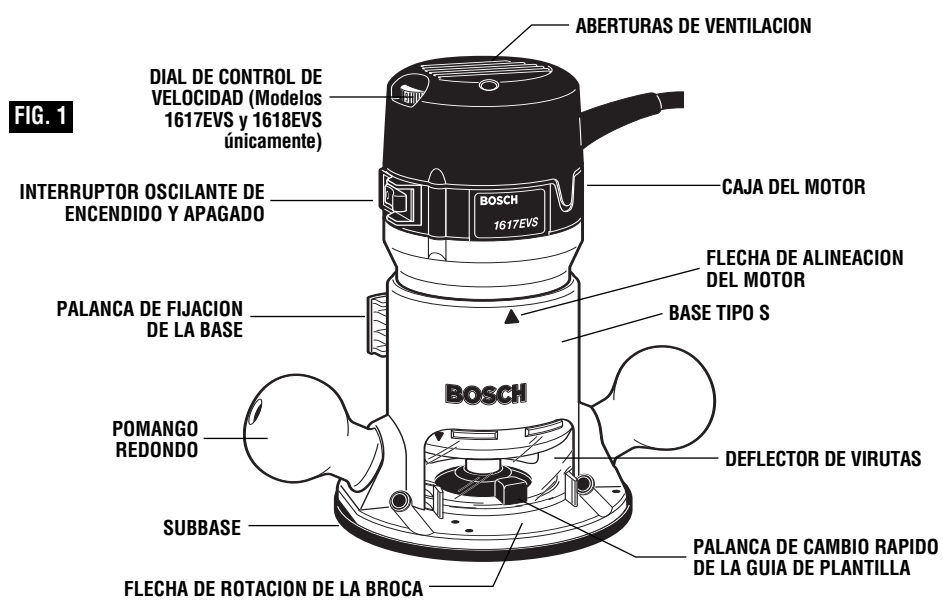
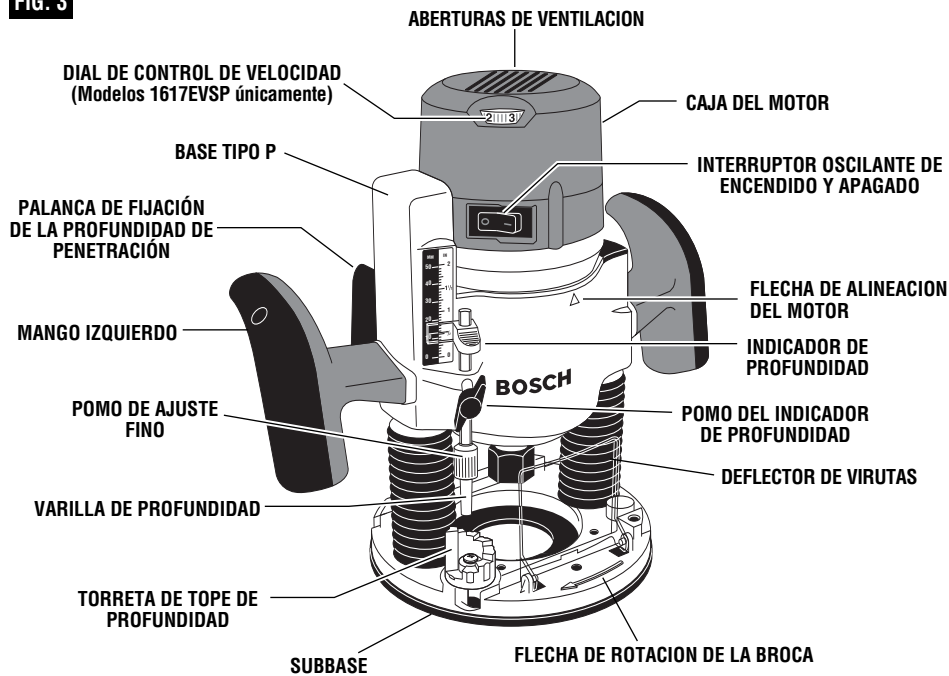


FIG. 3



Número de modelo	1617 y 1618	1617EVS y 1618EVS	0 601 617 061
Tensión nominal	120V ~ 50 - 60Hz	120V ~ 50 - 60Hz	220V ~ 50 - 60Hz
Amperaje nominal	11A	12A	6A
Capacidad sin carga	n_0 25 000/min	n_0 8,000-25 000/min	n_0 25 000/min
Capacidad del portaherramienta	1/4", 3/8", 1/2", 8mm	1/4", 3/8", 1/2", 8mm	1/4", 3/8", 1/2", 8mm

La base de fresadora de taller de base fija RA1160 marcada tipo "S" está diseñada para utilizarse con estos motores de fresadora:

- Motor de fresadora 1617 (16171)
- Motor de fresadora 1617EVS (16176)
- Motor de fresadora 0 601 617 061 (0 601 617 161)
- Motor de fresadora 1618 (16181)
- Motor de fresadora 1618EVS (16186)

La base de fresadora con mango en D RA1162 marcada tipo "D" está diseñada para utilizarse solamente con estos motores de fresadora:

- Motor de fresadora 1618 (16181)
- Motor de fresadora 1618EVS (16186)

La base de fresadora de descenso vertical RA1166 marcada tipo "P" está diseñada para utilizarse con estos motores de fresadora:

- Motor de fresadora 1617 (16171)
- Motor de fresadora 1617EVS (16176)
- Motor de fresadora 0 601 617 061 (0 601 617 161)
- Motor de fresadora 1618 (16181)
- Motor de fresadora 1618EVS (16186)

Ensamblaje

SELECCION DE BROCAS

Hay disponible por separado un amplio surtido de brocas de fresadora con distintos perfiles. Utilice un cuerpo de 1/2 pulgada siempre que sea posible y use únicamente brocas de buena calidad.

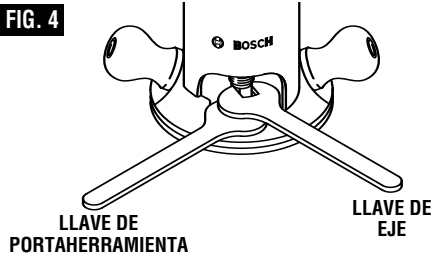
⚠ ADVERTENCIA Para prevenir lesiones personales, saque siempre el enchufe de la fuente de energía antes de quitar o instalar brocas o accesorios.

INSTALACION DE UNA BROCA DE FRESADORA

Coloque la fresadora en posición invertida o apóyela sobre uno de sus lados de manera que la base esté descansando sobre el banco. Otra opción es quitar el motor de la base antes de instalar la broca.

1. Quite el protector antivirutas (o bascúlelo hacia arriba si la base de descenso vertical está colocada).
2. Sujete el eje del inducido en su sitio con la llave de eje (Fig. 4).
3. A continuación, utilice la llave de portaherramienta para aflojar el ensamblaje del mandril portaherramienta en sentido contrario al de las agujas del reloj (visto desde debajo de la fresadora).
4. Introduzca el cuerpo de la broca de fresadora en el ensamblaje del mandril portaherramienta hasta donde se pueda y luego saque el cuerpo de la broca hasta que los cortadores estén aproximadamente de 3 mm a 6 mm de la cara de la tuerca del portaherramienta.
5. Con la broca de fresadora introducida y la llave de eje sujetando el eje del inducido, utilice la llave de portaherramienta para apretar firmemente el ensamblaje del mandril portaherramienta en el sentido de las agujas del reloj (visto desde debajo de la fresadora). Para asegurarse de lograr un agarre adecuado de la broca de fresadora y minimizar el descentramiento, el cuerpo de la broca de fresadora debe introducirse al menos 16 mm.

FIG. 4



⚠ ADVERTENCIA Cuando se haya quitado de la base la guía de plantillas, no utilice brocas de fresadora de más de 2 pulgadas de diámetro, ya que no cabrán a través de la subbase.

⚠ PRECAUCION Para evitar daños a la herramienta, no apriete la tuerca del portaherramienta sin una broca.

NOTA: El cuerpo de la broca y el mandril deben estar limpios y libres de polvo, madera, residuos y grasa antes del ensamblaje.

REMOCION DE LA BROCA DE FRESADORA

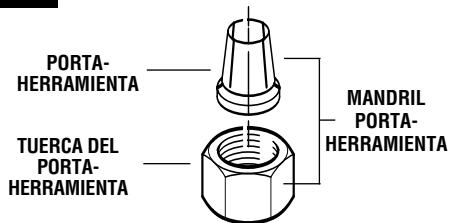
1. Utilice las llaves de eje y de mandril portaherramienta tal como se ha descrito anteriormente y gire el ensamblaje del mandril portaherramienta en sentido contrario al de las agujas del reloj.
2. Una vez que se haya aflojado el ensamblaje del mandril portaherramienta, continúe girando dicho ensamblaje hasta que éste suelte de su parte cónica el portaherramienta y entonces podrá sacarse la broca.

NOTA: El mandril portaherramienta es autoextraíble: NO es necesario golpear el mandril portaherramienta para liberar la broca de fresadora.

CUIDADO DEL MANDRIL PORTAHERRAMIENTA

Con la broca de fresadora retirada, continúe girando el mandril portaherramienta en sentido contrario al de las agujas del reloj hasta soltarlo del eje. Para asegurarse de que el agarre sea firme, limpie de vez en cuando el mandril portaherramienta con aire comprimido y limpie la parte cónica del eje del ensamblaje del inducido con una gasa o un cepillo fino. El mandril portaherramienta consta de dos piezas componentes tal como se ilustra (Fig. 5): compruebe si el mandril está asentado correctamente en la tuerca del mandril portaherramienta y enrosque ligeramente el mandril portaherramienta en el eje del inducido. Cambie inmediatamente los mandriles portaherramienta desgastados o dañados.

FIG. 5



REMOCIÓN DEL MOTOR DE LA BASE

Para quitar el motor de las bases que no sean de descenso vertical: (Fig. 6)

1. Sujete la fresadora en posición horizontal, abra la palanca de fijación de la base, presione la palanca de ajuste grueso y tire del motor hacia arriba hasta que se detenga.
2. Gire el motor en sentido contrario al de las agujas del reloj y tire de él suavemente hasta separarlo de la base.

Para quitar el motor de la base de descenso vertical: (Fig. 7)

1. Sujete la fresadora en posición horizontal, abra la palanca de fijación de la base y tire del motor hacia arriba hasta que se detenga.
2. Gire el motor en sentido contrario al de las agujas del reloj y tire de él suavemente hasta separarlo de la base.

INSTALACIÓN DEL MOTOR EN LA BASE

El motor puede instalarse con el interruptor posicionado a la derecha o la izquierda de la base desde el lado del operador (y el cordón orientado hacia el lado opuesto de la fresadora). Instale el motor de manera que el interruptor esté en la ubicación que a usted le resulte más fácilmente accesible desde los mangos. Debe ser más fácil poner el interruptor en la posición de apagado que en la de encendido en caso de emergencia.

Para instalar el motor en una base que no sea de descenso vertical:

1. Suelte la palanca de fijación de la base.
2. Alinee la flecha que está en la base con la flecha que está en el motor (Fig. 8).
 - Para posicionar el interruptor en el lado derecho de la base, alinee la flecha de la base con la flecha de la carcasa del motor que está debajo del cordón.
 - Para posicionar el interruptor a la izquierda, alinee la flecha de la base con la flecha de la carcasa del motor que está debajo del interruptor.
3. Mientras presiona la palanca de ajuste grueso, deslice el motor hacia el interior de la base hasta que se sienta resistencia. (El pasador de guía de la base estará ahora acoplado en la ranura del motor.)
4. Siga presionando la palanca de ajuste grueso y gire el motor en el sentido de las agujas del reloj hasta que se detenga.
5. Empuje el motor hacia el interior de la base hasta que alcance la profundidad aproximada deseada.
6. Suelte la palanca de ajuste grueso y deslice el motor hacia adelante o hacia atrás según sea necesario hasta que el "enganche" del sistema de ajuste grueso salte como un resorte al interior de la muesca de retención de ajuste grueso.
7. Ajuste la posición de altura final según se describe más adelante en "Instrucciones de utilización".

FIG. 6

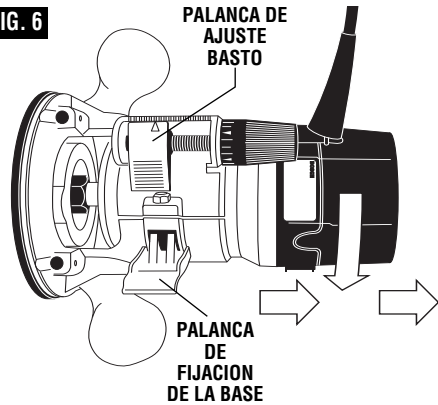


FIG. 7

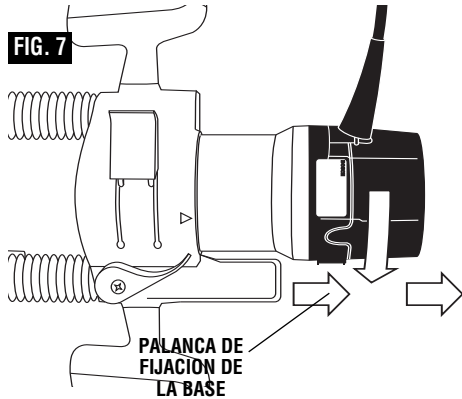
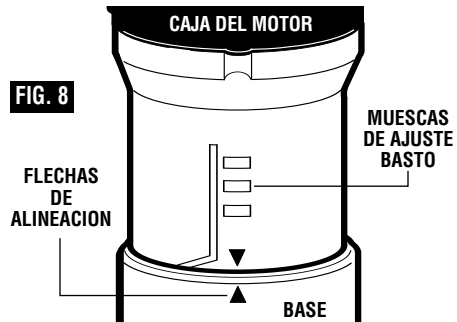


FIG. 8



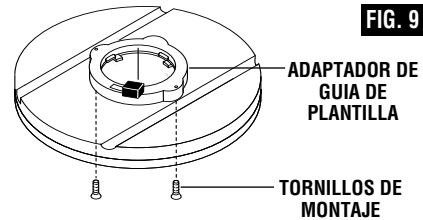
Para instalar el motor en la base de descenso vertical:

1. Suelte la palanca de fijación de la base.
2. Alinee la flecha que está en la base con la flecha que está en el motor (Fig. 8).
 - Para posicionar el interruptor en el lado derecho de la base, alinee la flecha de la base con la flecha de la carcasa del motor que está debajo del cordón.
 - Para posicionar el interruptor a la izquierda, alinee la flecha de la base con la flecha de la carcasa del motor que está debajo del interruptor.

3. Deslice el motor hacia el interior de la base hasta que se sienta resistencia. (El pasador de guía de la base estará ahora acoplado en la ranura del motor.)
4. Gire el motor en el sentido de las agujas del reloj hasta que se detenga.
5. Empuje el motor hacia el interior de la base tanto como se pueda.
6. Asegure la palanca de fijación de la base.

INSTALACIÓN DEL ADAPTADOR DE GUÍAS DE PLANTILLA

Coloque el adaptador de guías de plantilla sobre los agujeros del centro de la subbase y alinee los dos agujeros roscados de la parte inferior del adaptador con los agujeros contraavellanados de la subbase. Sujete el adaptador con los tornillos suministrados. Tenga en cuenta que el adaptador es reversible, así que la palanca de liberación puede posicionarse como se desee (Fig. 9).

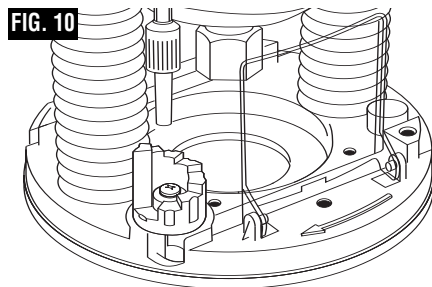


DEFLECTOR DE VIRUTAS

ADVERTENCIA Use siempre protección de los ojos. El deflector de virutas no está diseñado como protector de seguridad.

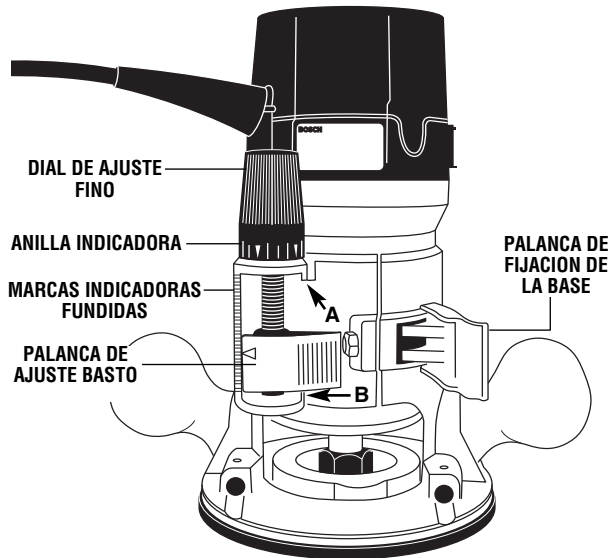
Los deflectores de virutas ayudan a mantener el polvo y las virutas alejados de la cara del operador. No detendrán objetos que sean más grandes que el polvo arrojado desde la broca.

Para quitar el escudo antivirutas de las bases, presione hacia adentro sobre las lengüetas hasta que dicho escudo se suelte de la base y retírelo. Para colocarlo, ubique el deflector en su sitio de la manera que se muestra en la Fig. 10. Luego, flexione los lados del deflector mientras empuja hasta que el deflector se acople a presión en su sitio. El escudo antivirutas de la base de descenso vertical también puede bascularse hacia afuera.



Instrucciones de funcionamiento

FIG. 11



Las fresadoras Bosch están diseñadas para brindar velocidad, precisión y conveniencia en la realización de trabajo de armarios, fresado, estriado, moldurado convexo, corte de molduras cóncavas, colas de milano, etc. Estas fresadoras le permitirán realizar trabajo de incrustación, bordes decorativos y muchos tipos de tallados especiales.

AJUSTE DE PROFUNDIDAD CON LA BASE FIJA

La fresadora está equipada con un mecanismo de ajuste fino de tipo verdaderamente micrométrico, que puede utilizarse en cualquier posición y proporciona un ajuste preciso de la posición de la broca de fresadora para lograr una exactitud sin paralelo. Cuando se baje la herramienta hasta la posición aproximada deseada, este dispositivo podrá ajustarse para graduar con precisión la posición final de la broca.

La fresadora también cuenta con tres muescas horizontales a ambos lados de la carcasa del motor para realizar ajustes gruesos. Las muescas están separadas 1/2 pulgada entre ellas, lo cual le permite bajar o subir rápidamente la profundidad de la herramienta en tres incrementos de 1/2 pulgada (aproximadamente 12.7 mm), simplemente presionando la palanca de suelta de ajuste grueso.

PARA AJUSTAR LA PROFUNDIDAD

NOTA: Todos los ajustes de profundidad deben realizarse con la palanca de fijación de la base suelta.

1. Sujete la herramienta en posición horizontal con la palanca de fijación de la base orientada hacia usted.
2. Abra la palanca de fijación de la base para soltar el motor.

3. AJUSTE GRUESO:

Para hacer un ajuste de profundidad grande, presione la palanca de suelta de ajuste grueso y suba o baje el motor hasta la profundidad deseada. Hay tres muescas en la carcasa del motor que están separadas 1/2 pulgada entre ellas para facilitar este ajuste.

4. AJUSTE DE PROFUNDIDAD FINO:

Para utilizar el dispositivo de ajuste fino, gire el pomo de ajuste fino en el sentido de las agujas del reloj para bajar la broca de fresadora, o en sentido contrario al de las agujas del reloj para subirla.

NOTA: Asegúrese de que la palanca de ajuste grueso esté acoplada en una de las muescas de ajuste grueso antes de realizar un ajuste fino.

Para permitir ajustes precisos, el anillo indicadora está graduado en incrementos ingleses y métricos. (Nota: una vuelta completa del pomo de ajuste fino = 1/16 de pulgada o aproximadamente 1.5 mm. El mecanismo de ajuste fino tiene un intervalo de ajuste total de 7/8 de pulgada (23 mm). Cada marca de indicador fundida junto a la palanca de ajuste grueso es igual a 1/8 de pulgada.)

Para evitar daños a la herramienta, evite atrapar en cuña la palanca de ajuste grueso contra la parte superior A o inferior B de la carcasa de la manera que se muestra en la figura 11.

5. Después de hacer ajustes de profundidad, vuelva a fijar el motor.

El anillo indicadora puede reajustarse a cero sin mover el pomo de ajuste fino, para permitir al usuario comenzar el ajuste desde cualquier punto de referencia deseado.

La extensión de control de ajuste fino RA1002, un accesorio opcional para las bases que no sean de descenso vertical, permite realizar el ajuste fino desde más allá de la parte superior de la carcasa del motor. Para instalar la extensión, simplemente presione la RA1002 hacia el interior del extremo del propio pomo de ajuste fino de la base (Fig. 12).

PARA FIJAR EL MOTOR

Cuando se hayan hecho los ajustes finales gruesos y finos, sujete la palanca de fijación de la base para asegurar los ajustes. (Si se desea una fuerza de fijación adicional: utilizando una llave de tuerca de 10 mm, gire la tuerca de fijación en el sentido de las agujas del reloj LIGERAMENTE (1/8 de vuelta o menos) y luego compruebe la fijación. No apriete la tuerca excesivamente.)

CORTES PROFUNDOS

Para realizar cortes más profundos, haga varios cortes progresivamente más profundos comenzando en una profundidad y luego haga varias pasadas subsiguientes, aumentada la profundidad de corte con cada pasada.

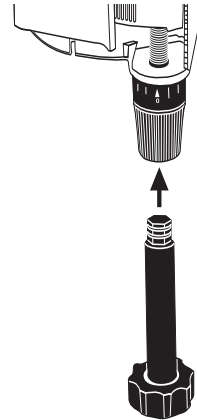


FIG. 12

Para asegurarse de que los ajustes de profundidad sean los deseados, es posible que quiera hacer cortes de prueba en material de desecho antes de comenzar el trabajo.

AJUSTE DE PROFUNDIDAD CON BASE DE DESCENSO VERTICAL

ACCIÓN DE PENETRACIÓN

El dispositivo de penetración simplifica los ajustes de profundidad y permite que la broca de corte entre de forma fácil y precisa en la pieza de trabajo. Para bajar la broca, empuje hacia la izquierda la palanca de fijación de la profundidad de penetración, ejerza presión hacia abajo hasta que alcance la profundidad deseada y reduzca la presión sobre la palanca para fijarla (Fig. 7). La palanca de fijación de la profundidad de penetración está accionada por resorte y regresa automáticamente a la posición fija. Para subir la fresadora, empuje hacia la izquierda la palanca de fijación de la profundidad de penetración, reduzca la presión sobre la fresadora y ésta retraerá automáticamente la broca de la pieza de trabajo. Es aconsejable retraer la broca siempre que ésta no esté acoplada en la pieza de trabajo.

VARILLA DE PROFUNDIDAD Y TORRETA DE PROFUNDIDAD

La varilla de profundidad y la torreta de tope de profundidad se utilizan para controlar la profundidad de corte de la manera siguiente:

1. Con la broca instalada, baje suavemente el motor hasta que la punta de la broca de fresadora toque ligeramente la superficie nivelada sobre la que la fresadora está apoyada. Ésta es la posición "cero", desde la cual pueden hacerse de manera precisa más ajustes de profundidad.
2. Para ajustar una profundidad de corte deseada, gire la torreta de tope de profundidad hasta que el escalón más bajo esté alineado con la varilla de profundidad. Afloje el pomo del indicador de profundidad y baje la varilla de profundidad hasta que entre en contacto con el escalón más bajo de la

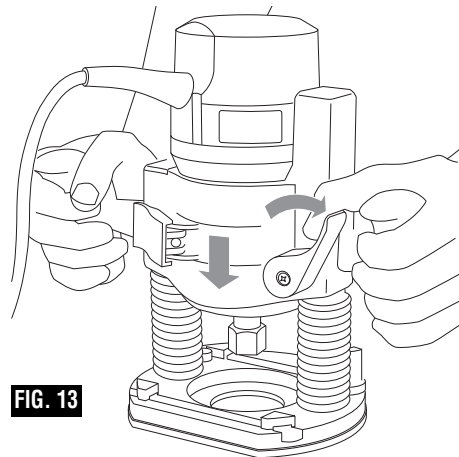
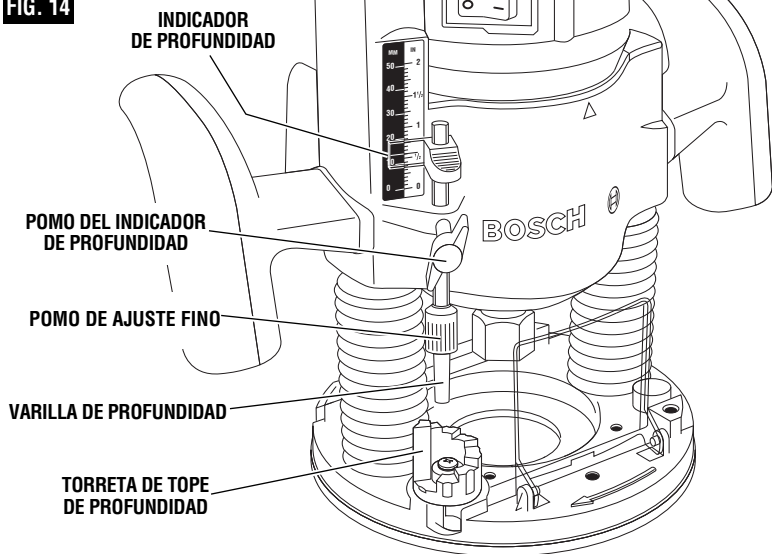


FIG. 13

torreta. Deslice el indicador de profundidad hasta que la línea roja indique cero en la escala de profundidad, indicando el punto en el que la broca justo entra en contacto con la pieza de trabajo (Fig 14).

3. Para ajustar una profundidad de corte deseada, deslice hacia arriba la varilla de profundidad hasta que la línea roja del indicador de profundidad alcance la profundidad de corte deseada, y fije la varilla en esa posición apretando firmemente el pomo del indicador de profundidad.
4. Una vez hecho esto, la profundidad de corte deseada puede lograrse haciendo bajar la fresadora hasta que la varilla de profundidad entre en contacto con el tope seleccionado en la torreta.

FIG. 14



CORTES PROFUNDOS

Para realizar cortes más profundos, haga varios cortes progresivamente más profundos comenzando con el escalón más alto de la torreta de profundidad y después de cada corte gire la torreta de profundidad a escalones progresivamente más bajos según se desee, hasta que se alcance la profundidad final (el escalón más bajo o plano). Los escalones avanzan en incrementos de 1/8 de pulgada.

Para asegurarse de que los ajustes de profundidad sean los deseados, es posible que quiera hacer cortes de prueba en material de desecho antes de comenzar el trabajo.

AJUSTE FINO

La base de descenso vertical RA1166 está equipada con un sistema de ajuste fino que le permite microajustar la profundidad de descenso vertical de la broca de fresadora para lograr una precisión superior de fresado.

Cada revolución completa del tope de ajuste fino ajusta la profundidad de descenso vertical 1/32 de pulgada y cada una de las cuatro marcas de indicador que están en el pomo representa 1/128 de pulgada. Una de las cuatro marcas indicadoras es más grande que las otras para indicar una revolución completa. Una línea indicadora de referencia está incorporada en la varilla de profundidad.

Para utilizar el pomo de ajuste fino, una vez que se hayan ajustado la varilla de profundidad y la torreta de profundidad, compruebe el ajuste de profundidad final y realice el ajuste fino de la manera siguiente:

Para microaumentar la profundidad de descenso vertical, suba el tope de ajuste fino girándolo en sentido contrario al de las agujas del reloj la cantidad deseada.

Para microreducir la profundidad de descenso vertical, baje el tope de ajuste fino girándolo en el sentido de las agujas del reloj la cantidad deseada.

Notas

- Cuando microajuste la profundidad de descenso vertical, es más conveniente mover el tope de ajuste fino hacia arriba que hacia abajo. Antes de ajustar la varilla de profundidad y la torreta de profundidad, asegúrese de que el tope de ajuste fino se haya girado varias revoluciones hacia abajo desde su posición superior para que pueda ajustarse hacia arriba.
- El tope de ajuste fino no puede utilizarse para reducir la profundidad de descenso vertical cuando la varilla de profundidad ya esté tocando la torreta de tope de profundidad. La fresadora debe subirse antes de que pueda realizarse dicho ajuste.

INTERRUPTOR OSCILANTE DE ENCENDIDO Y APAGADO

La herramienta puede encenderse o apagarse utilizando el interruptor oscilante ubicado en la caja del motor. Un lado del interruptor está marcado con la letra "I", que representa encendido, y el otro lado del interruptor está marcado con la letra "O", que representa apagado. Además, en el borde del interruptor se ve una luz roja cuando el interruptor está en la posición de encendido.

PARA ENCENDER LA HERRAMIENTA: Empuje el lado del interruptor marcado con la letra "I".

PARA APAGAR LA HERRAMIENTA: Empuje el lado del interruptor que está marcado con la letra "O".

Sostenga siempre la fresadora de manera que esté separada de la pieza de trabajo cuando accione el interruptor para apagarla o encenderla. Ponga la fresadora en contacto con la pieza de trabajo después de que la herramienta haya alcanzado su velocidad plena y retírela de la pieza de trabajo antes de apagarla accionando el interruptor. Al utilizar la fresadora de esta manera, se prolongará la duración del interruptor y del motor y se aumentará considerablemente la calidad del trabajo que se realiza (Fig. 1).

INTERRUPTOR OSCILANTE DE ENCENDIDO Y APAGADO

CON GATILLO Y BOTON DE "FIJACION EN ON" (Modelos 1618 y 1618EVS solamente)

La herramienta se enciende mediante el interruptor oscilante ubicado en la parte superior de la caja del motor tal como se ha descrito anteriormente. Ahora la herramienta puede encenderse o apagarse apretando o soltando el gatillo. La herramienta también está equipada con un botón de "Fijación en ON" ubicado justo encima del gatillo, el cual permite un funcionamiento continuo sin tener que mantener apretado el gatillo (Fig. 2).

PARA FIJAR EL INTERRUPTOR EN LA POSICION DE ENCENDIDO: Apriete el gatillo, oprima el botón y suelte el gatillo.

PARA DESBLOQUEAR EL INTERRUPTOR: Apriete el gatillo y suéltelo sin oprimir el botón de "Fijación en ON".

Si se oprime continuamente el botón de "Fijación en ON", no se puede soltar el gatillo.

En los modelos 1617 y 1618, sostenga la herramienta con las dos manos mientras la pone en marcha, ya que el par de giro del motor puede hacer que la herramienta se tuerza.

DISPOSITIVO DE ARRANQUE SUAVE (Modelos 1617EVS y 1618EVS únicamente)

El control electrónico de retroacción minimiza la torsión debida al par motor habitual en las fresadoras más grandes, al limitar la velocidad a la que el motor arranca.

CONTROL ELECTRONICO DE VELOCIDAD VARIABLE (Modelos 1617EVS y 1618EVS únicamente)

El dispositivo de control electrónico de velocidad permite que la velocidad del motor se haga corresponder con el tamaño del cortador y la dureza del material a fin de proporcionar un acabado mejor, prolongar la vida de la broca y producir un rendimiento mayor. Los cambios de velocidad se logran girando el dial de control hacia la DERECHA para aumentar la velocidad y hacia la IZQUIERDA par reducirla, según se indica en la caja protectora (Fig. 1). La velocidad se puede cambiar mientras la herramienta está encendida. Los números de referencia del dial facilitan el cambio de posición del control a la velocidad deseada.

El cuadro de velocidades indica la relación entre las posiciones y la aplicación. Las posiciones exactas son determinadas por la experiencia y preferencia del operador. El fabricante de la broca también puede tener una recomendación de velocidades.

POSICIÓN DEL DIAL	RPM	APLICACIÓN
1	8,000	} Metales no ferrosos, brocas de diámetro más grande y cortadores
2	13,500	
3	16,500	
4	20,000	} Maderas blandas, plásticos, tableros de mostrador, brocas de diámetro más pequeño y cortadores
5	21,500	
6	25,000	

CIRCUITERÍA CONSTANT RESPONSE™

La circuitería de respuesta constante Constant Response™ de la fresadora vigila y ajusta la potencia para mantener las RPM deseadas con el fin de lograr un rendimiento y un control uniformes.

AVANCE DE LA FRESADORA

Tal como se ve desde la parte de arriba de la fresadora, la broca gira en el sentido de las agujas del reloj y los bordes de corte están orientados correspondientemente. Por lo tanto, el corte más eficaz se realiza haciendo avanzar la fresadora de manera que la broca gire hacia la pieza de trabajo, no alejándose de ésta. En la Figura 15 se muestra el avance apropiado para varios cortes. La velocidad de avance depende de la dureza del material y del tamaño del corte. Para algunos materiales, es mejor hacer varios cortes cada vez más profundos.

Si es difícil controlar la fresadora o si la fresadora se calienta, funciona muy lentamente o deja un corte imperfecto, considere estas causas:

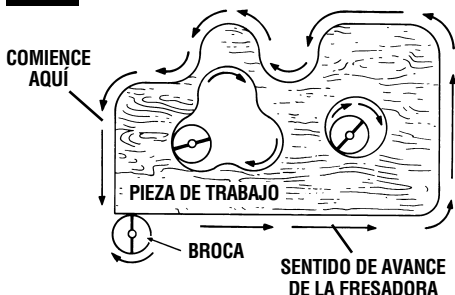
1. Sentido de avance incorrecto: difícil de controlar.
2. Avance demasiado rápido: sobrecarga el motor.
3. Broca desafilada: sobrecarga el motor.
4. El corte es demasiado grande para una pasada: sobrecarga el motor.
5. Avance demasiado lento: deja quemaduras por fricción en la pieza de trabajo.

Haga avanzar suave y firmemente la fresadora (no la fuerce). Pronto aprenderá el sonido y la sensación de la fresadora cuando está funcionando mejor.

VELOCIDAD DE AVANCE

Al fresar o realizar trabajo relacionado en madera y plásticos, los mejores acabados se obtendrán si la profundidad de corte y la velocidad de avance se

FIG. 15



regular para mantener el motor funcionando a alta velocidad. Haga avanzar la fresadora a una velocidad moderada. Los materiales blandos requieren una velocidad de avance más rápida que los materiales duros.

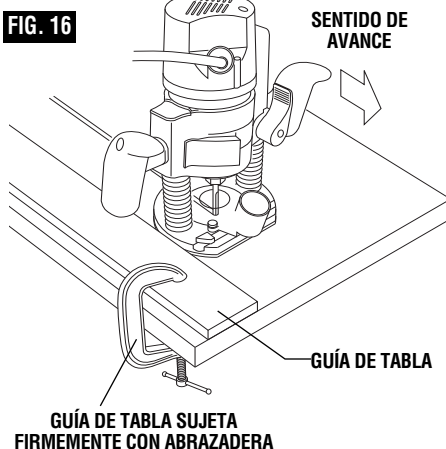
Es posible que la fresadora se detenga si se utiliza inapropiadamente o si se sobrecarga. Reduzca la velocidad de avance para evitar daños posibles a la herramienta. Asegúrese siempre de que el mandril portaherramienta esté apretado firmemente antes de utilizar la herramienta. Utilice siempre brocas de fresadora con la longitud de corte más corta necesaria para producir el corte deseado. Esto minimizará el descentrado y el rechinamiento de la broca de fresadora.

GUIADO DE LA FRESADORA

La fresadora puede guiarse por la pieza de trabajo de cualquiera de varias maneras. El método que usted utilice depende, por supuesto, de las exigencias del trabajo específico y de la conveniencia.

Para operaciones de fresado como ranurado o mortajado, a menudo es necesario guiar la herramienta en una línea paralela a un borde recto. Un método de obtener un corte recto es sujetar firmemente un tabla u otro borde recto a la superficie de la pieza de trabajo y guiar el borde de la subbase de la fresadora a lo largo de esta trayectoria (Fig. 16).

FIG. 16



CENTRADO DE LA SUBBASE Y LAS GUÍAS DE PLANTILLA

La fresadora cuenta con el "Diseño de centrado de precisión" de Bosch. Su subbase se centra con precisión en la fábrica. Esto posiciona la broca en el centro de la subbase y las guías de plantilla opcionales. El centrado de precisión le permite seguir con exactitud los posicionadores, como por ejemplo guías rectas, plantillas y dispositivos de fijación para colas de milano, sin tener que preocuparse de que la broca se desvíe de la línea de corte deseada por cualquier motivo, incluyendo la orientación de los mangos de goma.

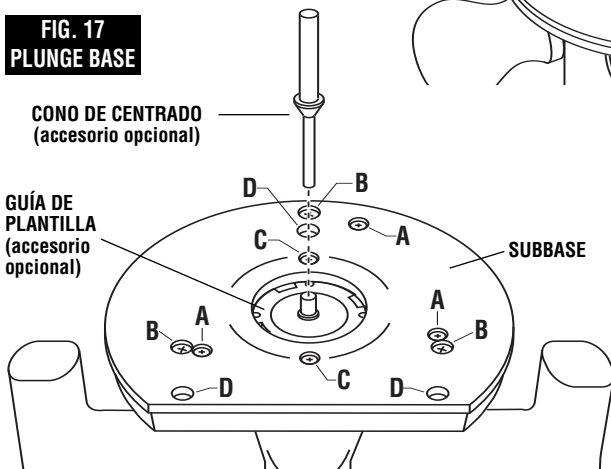
En caso de que los tornillos de la subbase se hayan aflojado o quitado, como por ejemplo al preparar la fresadora para utilizarla en una mesa de fresadora, he aquí cómo recentrar la subbase al colocarla de nuevo:

Para recentrar rápidamente la subbase, coloque la subbase utilizando el conjunto de tornillos de cabeza plana (incluidos) y los agujeros para tornillos de cabeza avellanada que están en la subbase. (Los tornillos de cabeza plana tienen las cabezas cónicas). Los tornillos de cabeza plana y los agujeros para tornillos de cabeza avellanada tirarán de la subbase hasta una posición que estará muy próxima a centrada.

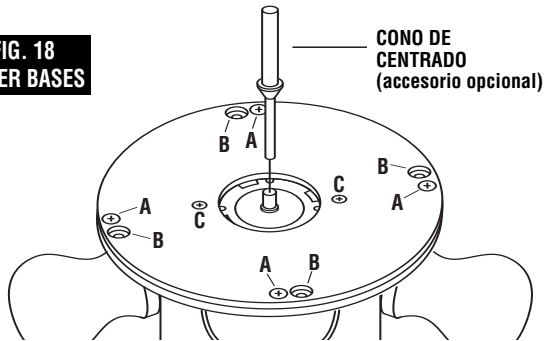
O BIEN — Para recentrar la subbase con la máxima precisión, coloque la subbase utilizando el cono de centrado opcional de Bosch, una guía de plantilla opcional de Bosch y el conjunto de tornillos de cabeza troncocónica (incluidos). (Los tornillos de cabeza troncocónica tienen la parte superior redondeada.) Siga los pasos 1 a 8.

1. Posicione la subbase de manera que sus agujeros para tornillos de cabeza troncocónica estén sobre el conjunto coincidente de agujeros roscados de la base.
2. Introduzca los tornillos de cabeza troncocónica, no los tornillos de cabeza plana, a través de la subbase y apriételes hasta que estén bien firmes, pero de manera que aún permitan que la subbase se mueva.
3. Introduzca la guía de plantilla (accesorio opcional) en el adaptador de guías de plantilla instalado según se describe en otra parte de este manual.
4. Deslice el cono de centrado (accesorio opcional) a través de la guía de plantilla y al interior del portaherramienta. Utilice el extremo estrecho del cono cuando lo introduzca en un portaherramienta de 1/4 de pulgada, y el extremo más ancho del cono cuando lo introduzca en un portaherramienta de 1/2 pulgada.
5. Apriete con los dedos la tuerca del portaherramienta para poner un ligero agarre en el cono de centrado.
6. Presione ligeramente el cono de centrado hacia el interior de la guía de plantilla para centrar la guía y la subbase.
7. Apriete los tornillos de cabeza troncocónica.
8. Retire el cono de centrado. Una vez hecho esto, habrá completado el centrado de la guía de plantilla y la subbase.

**FIG. 17
PLUNGE BASE**



**FIG. 18
OTHER BASES**

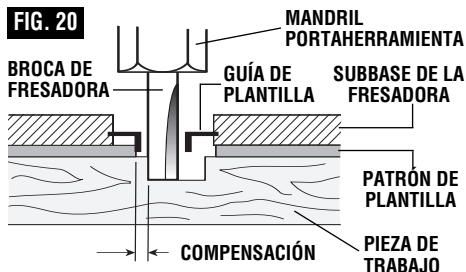
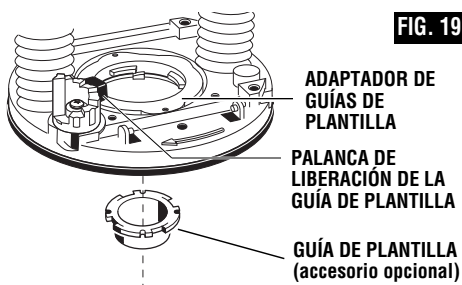


- A = AGUJEROS PARA TORNILLOS DE CABEZA AVELLANADA
- B = AGUJEROS PARA TORNILLOS DE CABEZA TRONCOCÓNICA
- C = AGUJEROS PARA TORNILLOS DE ADAPTADOR DE GUÍAS DE PLANTILLA
- D = AGUJEROS PARA SUJETAR LA FRESADORA A LA PLACA DE MONTAJE DE LA MESA DE FRESADORA

GUÍAS DE PLANTILLA

La fresadora está equipada con un adaptador exclusivo de guías de plantilla de cambio rápido que agarra firmemente las guías con un anillo accionado por resorte. Para introducir o cambiar la guía de plantilla, retraiga la palanca de liberación de la guía de plantilla. Alinee las secciones cortadas de la guía de plantilla con las lengüetas que están en la parte inferior del adaptador de guías de plantilla. Introduzca la guía de plantilla y suelte la palanca para agarrar la guía de plantilla en su sitio (Fig. 19).

Las guías de plantilla se utilizan con varios accesorios especiales, como plantillas de bisagra, que se incluyen en el catálogo BOSCH. Además, es fácil preparar plantillas especiales para cortar patrones repetidos, diseños especiales, incrustaciones y otras aplicaciones. Puede hacerse un patrón de plantilla usando madera contrachapada, tablero de aglomerado, metal o incluso plástico, y el diseño puede cortarse con una fresadora, una sierra caladora u otra herramienta de corte adecuada. Recuerde que el patrón tendrá que hacerse de manera que se compense la distancia entre la broca de fresadora y la guía de plantilla (la "compensación"), ya que la pieza de trabajo final tendrá un tamaño distinto al patrón de plantilla en esa cantidad, debido a la posición de la broca (Fig. 20).



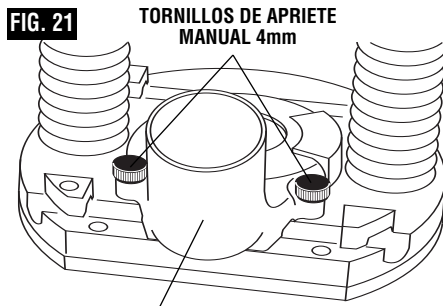
RECOLECCIÓN DE POLVO DE LA FRESADORA

Hay tres accesorios de cubierta de extracción de polvo opcionales. Cada cubierta de extracción de polvo está dimensionada para aceptar mangueras de aspiración de 35 mm. Cada paquete de accesorios incluye el adaptador VAC002 que conectará la cubierta a mangueras de aspiración de 1-1/4" y 1-1/2". También hay disponible por separado un adaptador para conectar la cubierta a mangueras de 2-1/2".

RECOLECCIÓN DE POLVO DE LA FRESADORA PARA LA BASE DE DESCENSO VERTICAL

La cubierta de extracción de polvo RA1174 está diseñada para utilizarse con la base de descenso vertical (RA1166) cuando el fresado se realiza en el centro de la pieza de trabajo, como por ejemplo al crear ranuras o fresar patrones para incrustaciones. Si usted tiene un sistema de aspiración de taller, puede acoplar la cubierta de extracción de polvo para mejorar la visibilidad, la precisión y la utilidad, especialmente en el fresado a pulso.

Para acoplar la cubierta, posicónela de la manera que se muestra en la ilustración y sujete firmemente el adaptador a la base con los tornillos de apriete manual suministrados (Fig. 21).



CUBIERTA DE EXTRACCIÓN DE POLVO

La cubierta de extracción de polvo también puede instalarse con la salida para manguera orientada hacia la parte delantera de la herramienta. Si el adaptador de guías de plantilla está instalado, será necesario invertirlo o quitarlo para permitir que la palanca de suelta quepa debajo de la cubierta para polvo.

CUBIERTA DE EXTRACCIÓN DE POLVO RA1171

⚠ ADVERTENCIA No ponga las manos en el área de la broca mientras la fresadora esté encendida o enchufada. Para evitar enredar las mangueras, no utilice esta cubierta de extracción de polvo al mismo tiempo que otra cubierta de extracción de polvo.

La cubierta de extracción de polvo RA1171 está diseñada para utilizarse con las bases de fresadora Bosch "S" (RA1160) y "D" (RA1162) cuando el fresado se realiza en el centro de la pieza de trabajo, como por ejemplo al crear ranuras o fresar patrones para incrustaciones.

Para acoplar la cubierta a la base de la fresadora, deslice dicha cubierta hacia el interior del lado trasero de la base de la fresadora con las esquinas redondeadas del protector orientadas hacia arriba (Fig. 22 y 23). Apriete firmemente los dos tornillos estriados de apriete manual.

Para lograr la máxima eficacia de recolección de polvo, asegúrese de que el escudo antivirutas de la fresadora esté colocado en su sitio.

FIG. 22

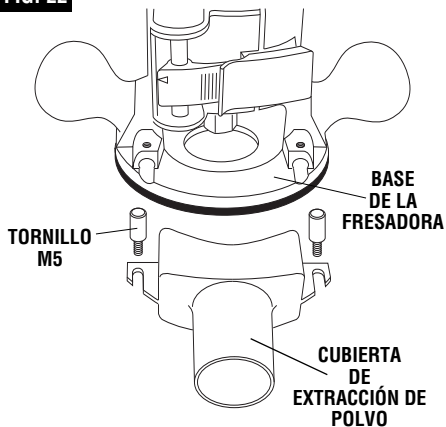
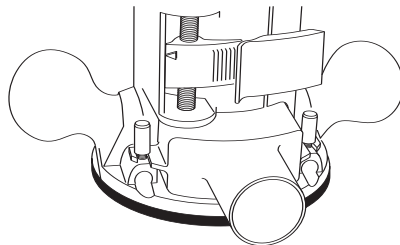


FIG. 23



RECOLECCIÓN DE POLVO AL CONFORMAR BORDES

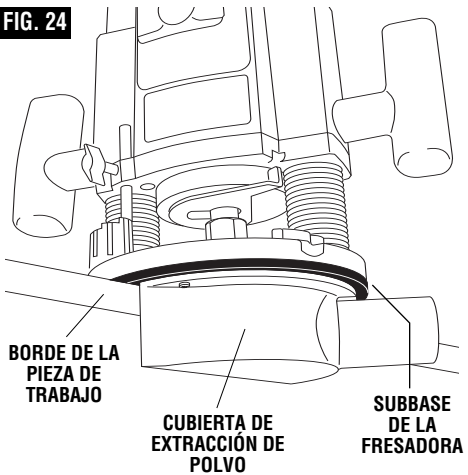
⚠ ADVERTENCIA No ponga las manos en el área de la broca mientras la fresadora esté encendida o enchufada. Para evitar enredar las mangueras, no utilice esta cubierta de extracción de polvo al mismo tiempo que otra cubierta de extracción de polvo.

La cubierta de extracción de polvo RA1170 (accesorio opcional) se utiliza para la recolección de polvo al conformar bordes (Fig. 24).

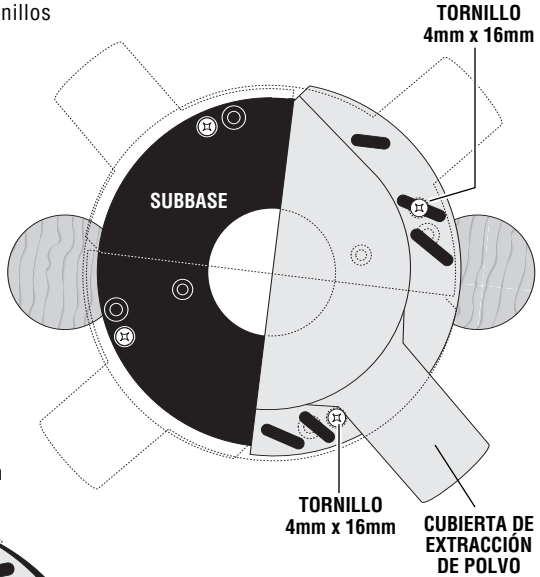
COLOCACIÓN DE LA CUBIERTA DE EXTRACCIÓN DE POLVO

Usted puede colocar la cubierta para conformado de bordes en varios lugares de acuerdo con sus necesidades o preferencias. Esta cubierta se coloca utilizando dos de los agujeros para tornillo que están en la base de fresadora que se utilizan para sujetar la subbase de la fresadora. Seleccione la ubicación deseada para la cubierta. Afloje y quite los dos tornillos de la base de la fresadora y coloque la cubierta de extracción de polvo –sobre la subbase de la fresadora– utilizando los tornillos suministrados con la cubierta. Apriete firmemente los tornillos (Figuras 25 y 26.)

FIG. 24



**FIG. 26
OTHER BASES**



**FIG. 25
PLUNGE BASE**

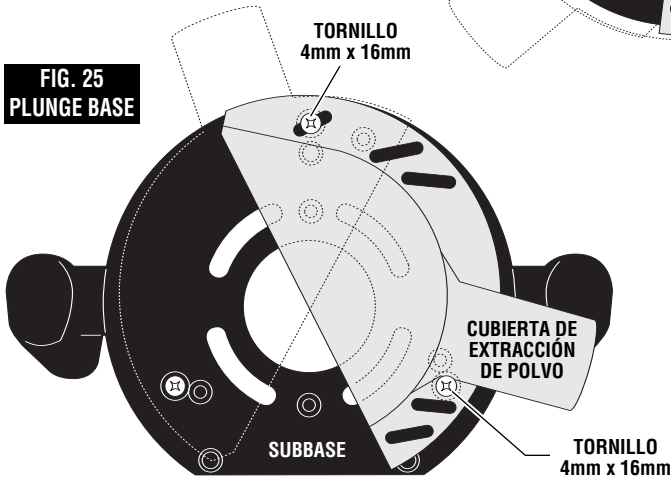
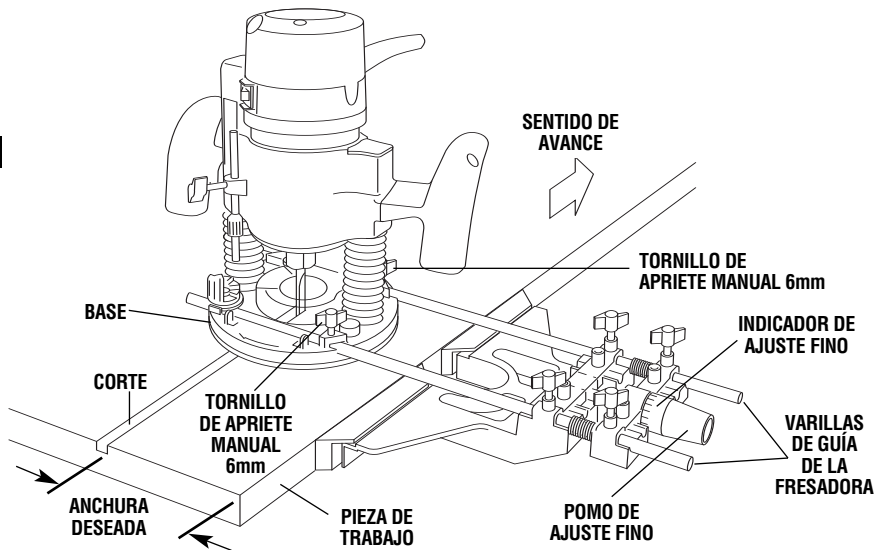


FIG. 27



**GUÍA DE FRESADORA DE LUJO
(No incluida, disponible como accesorio)**

La guía de fresadora de lujo Bosch es un accesorio opcional que guiará la fresadora paralela a un borde recto o le permitirá a usted crear círculos y arcos.

La guía de fresadora de lujo se suministra con dos varillas y tornillos para sujetar dicha guía (Fig. 27). Además, cuenta con un pomo y un indicador de ajuste fino para posicionar con precisión la guía de borde en relación con la broca. Con la guía instalada y ajustada, la fresadora debe hacerse avanzar normalmente, manteniendo la guía en contacto con el

borde de la pieza de trabajo en todo momento. La guía de fresadora de lujo también puede posicionarse directamente debajo de la base de la fresadora para realizar operaciones donde se necesite un corte cerca del borde de la pieza de trabajo o en dicho borde.

La guía de fresadora de lujo incluye una cubierta de extracción de polvo y el adaptador de manguera de aspiración VAC002.

Para obtener instrucciones completas de instalación y funcionamiento, sírvase consultar las instrucciones que se incluyen con este accesorio.

USO EN UNA MESA DE FRESADORA

La fresadora también puede utilizarse en una mesa de fresadora. La base fija RA1160 está diseñada para permitir ajustar fácilmente la profundidad en una mesa. La base de mango en D tipo "D" RA1172 no cabrá en la mayoría de mesas de fresadora.

PRECAUCIÓN La base de descenso vertical RA1166 no se recomienda para utilizarse en una mesa de fresadora. Podrían producirse daños en la base de fresadora de descenso vertical.

Para instalar la base RA1160 en una mesa, simplemente quite la subbase y sujete la base a la mesa de fresadora utilizando tres tornillos para metales 10-24 ó cuatro tornillos para metales de 4 mm. La longitud dependerá del grosor de la mesa de fresadora o de la placa de montaje de la mesa de fresadora. Para mesas de fresadora Bosch, 3/4 de pulgada ó 20 mm es la longitud de tornillo apropiada.

Para eliminar la molestia de instalar la propia base de la fresadora en la mesa de fresadora y luego tener que convertirla de vuelta para la utilización sin mesa, Bosch ofrece la base de fresadora para debajo de la mesa RA1164 opcional (Fig. 26). La base RA1164 está diseñada para estar colocada permanentemente en la mesa de fresadora, dejando las otras bases de fresadora listas para su utilización sin mesa. El motor puede moverse rápidamente de una base a otra, ¡sin ninguna herramienta!

El accesorio de base para debajo de la mesa incluye los tornillos necesarios para sujetar la base a una placa de montaje de mesa de fresadora, así como la extensión de control de ajuste fino (Fig. 11).

Para obtener instrucciones completas de funcionamiento de una fresadora en una mesa de fresadora y sobre la base para debajo de la mesa, sírvase consultar las instrucciones que vienen con la mesa de fresadora y la base para debajo de la mesa.

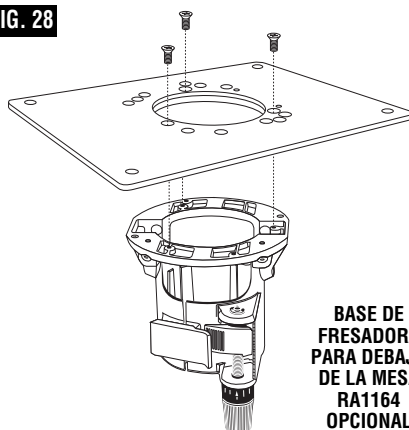
* La base de mango en D tipo "D" RA1172 no cabrá en las mesas de fresadora Bosch.

AVANCE DE LA PIEZA DE TRABAJO SOBRE UNA MESA DE FRESADORA

Utilice siempre el tope-guía o el pasador de inicio de la mesa de fresadora y el protector adecuado, y siga el manual de instrucciones de la mesa de fresadora. Haga avanzar SIEMPRE la pieza de trabajo de derecha a izquierda a través de la parte delantera de la broca. En las mesas de fresadora Bosch, el sentido de avance correcto también se muestra en la carcasa del tope-guía y en las tablas de canto biselado, cuando se han instalado correctamente (Fig. 27).

Siempre que sea posible, cuando esté utilizando el tope-guía, use un palo de empujar para empujar la pieza de trabajo, especialmente cuando trabaje con piezas estrechas.

FIG. 28



BASE DE FRESADORA PARA DEBAJO DE LA MESA RA1164 OPCIONAL

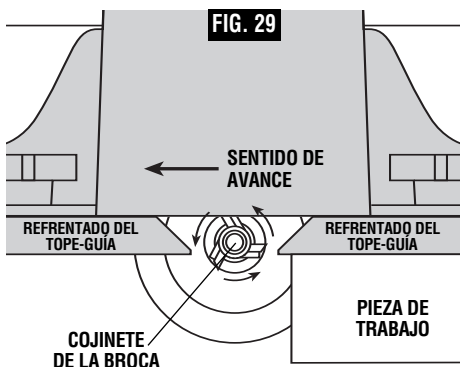


FIG. 29

VISTA SUPERIOR

NOTA: Para mayor claridad, el protector y la tabla de canto biselado se han quitado del dibujo.

Mantenimiento

Servicio

⚠ ADVERTENCIA El mantenimiento preventivo realizado por personal no autorizado puede dar lugar a la colocación incorrecta de cables y componentes internos que podría constituir un peligro serio. Recomendamos que todo el servicio de las herramientas sea realizado por un Centro de servicio de fábrica Bosch o por una Estación de servicio Bosch autorizada.

LUBRICACIÓN DE LAS HERRAMIENTAS

Su herramienta Bosch ha sido lubricada adecuadamente y está lista para la utilización. Se recomienda que las herramientas con engranajes se vuelvan a engrasar con un lubricante especial para engranajes en cada cambio de escobillas.

ESCOBILLAS DE CARBÓN

Las escobillas y el conmutador de la herramienta han sido diseñados para muchas horas de servicio fiable. Para mantener un rendimiento óptimo del motor, recomendamos que cada dos a seis meses se examinen las escobillas. Sólo se deben usar escobillas de repuesto Bosch genuinas diseñadas específicamente para su herramienta.

RODAMIENTOS

Después de 300-400 horas de funcionamiento, o después de cada segundo cambio de escobillas, los

rodamientos deben cambiarse en un Centro de servicio de fábrica Bosch o en una Estación de servicio Bosch autorizada. Los rodamientos que se vuelven ruidosos (debido a la pesada carga o al corte de materiales muy abrasivos) deben ser sustituidos inmediatamente para evitar el sobrecalentamiento o el fallo del motor.

Limpieza

⚠ ADVERTENCIA Para evitar accidentes desconecte siempre la herramienta de la fuente de energía antes de la limpieza o de la realización de cualquier mantenimiento. La herramienta se puede limpiar más eficazmente con aire comprimido seco. Use gafas de seguridad siempre que limpie herramientas con aire comprimido.

Las aberturas de ventilación y las palancas de interruptor deben mantenerse limpias y libres de materias extrañas. No intente limpiar introduciendo objetos puntiagudos a través de las aberturas.

⚠ PRECAUCIÓN Ciertos agentes de limpieza y disolventes dañan las piezas de plástico. Algunos de estos son: gasolina, tetracloruro de carbono, disolventes de limpieza clorados, amoníaco y detergentes domésticos que contienen amoníaco.

Accesorios

⚠ ADVERTENCIA Si es necesario un cordón de extensión, se debe usar un cordón con conductores de tamaño adecuado que sea capaz de transportar la corriente necesaria para la herramienta. Esto evitará caídas de tensión excesivas, pérdida de potencia o recalentamiento. Las herramientas conectadas a tierra deben usar cordones de extensión de 3 hilos que tengan enchufes de 3 terminales y receptáculos para 3 terminales.

NOTA: Cuanto más pequeño es el número de calibre, más grueso es el cordón.

Mandril portaherramienta de 1/4" *

Mandril portaherramienta de 1/2" *

Llave de tuerca para el eje de 16 mm *

Llave de tuerca para la tuerca del portaherramienta de 24 mm *

Mandril portaherramienta de 3/8" **

Mandril portaherramienta de 8 mm **

Guía de fresadora de lujo **

Cono de centrado **

Estuche de transporte (estándar con la 1617K, 1617EVSK, 1617PK y 1617VSPK solamente)

Cubierta de extracción de polvo **

TAMAÑOS RECOMENDADOS DE CORDONES DE EXTENSION HERRAMIENTAS DE 120 V CORRIENTE ALTERNA

Capacidad nominal en amperes de la herramienta	Tamaño del cordón en A.W.G.				Tamaños del cable en mm ²			
	Longitud del cordón en pies				Longitud del cordón en metros			
	25	50	100	150	15	30	60	120
3-6	18	16	16	14	0,75	0,75	1,5	2,5
6-8	18	16	14	12	0,75	1,0	2,5	4,0
8-10	18	16	14	12	0,75	1,0	2,5	4,0
10-12	16	16	14	12	1,0	2,5	4,0	—
12-16	14	12	—	—	—	—	—	—

Cubierta de extracción de polvo para conformado de bordes **

Extensión de control de ajuste fino **

Base para debajo de la mesa con extensión de control de ajuste fino **

Mesas de fresadora **

Guías de plantilla de suelta rápida **

Adaptador para guías de plantilla de estilo estándar **

(* = equipo estándar)

(** = accesorios opcionales)

Notes:

Remarques :

Notas:

LIMITED WARRANTY OF BOSCH PORTABLE AND BENCHTOP POWER TOOLS

Robert Bosch Tool Corporation ("Seller") warrants to the original purchaser only, that all BOSCH portable and benchtop power tools will be free from defects in material or workmanship for a period of one year from date of purchase. SELLER'S SOLE OBLIGATION AND YOUR EXCLUSIVE REMEDY under this Limited Warranty and, to the extent permitted by law, any warranty or condition implied by law, shall be the repair or replacement of parts, without charge, which are defective in material or workmanship and which have not been misused, carelessly handled, or misrepaired by persons other than Seller or Authorized Service Station. To make a claim under this Limited Warranty, you must return the complete portable or benchtop power tool product, transportation prepaid, to any BOSCH Factory Service Center or Authorized Service Station. For Authorized BOSCH Power Tool Service Stations, please refer to your phone directory.

THIS LIMITED WARRANTY DOES NOT APPLY TO ACCESSORY ITEMS SUCH AS CIRCULAR SAW BLADES, DRILL BITS, ROUTER BITS, JIGSAW BLADES, SANDING BELTS, GRINDING WHEELS AND OTHER RELATED ITEMS.

ANY IMPLIED WARRANTIES SHALL BE LIMITED IN DURATION TO ONE YEAR FROM DATE OF PURCHASE. SOME STATES IN THE U.S., SOME CANADIAN PROVINCES DO NOT ALLOW LIMITATIONS ON HOW LONG AN IMPLIED WARRANTY LASTS, SO THE ABOVE LIMITATION MAY NOT APPLY TO YOU.

IN NO EVENT SHALL SELLER BE LIABLE FOR ANY INCIDENTAL OR CONSEQUENTIAL DAMAGES (INCLUDING BUT NOT LIMITED TO LIABILITY FOR LOSS OF PROFITS) ARISING FROM THE SALE OR USE OF THIS PRODUCT. SOME STATES IN THE U.S. AND SOME CANADIAN PROVINCES DO NOT ALLOW THE EXCLUSION OR LIMITATION OF INCIDENTAL OR CONSEQUENTIAL DAMAGES, SO THE ABOVE LIMITATION OR EXCLUSION MAY NOT APPLY TO YOU.

THIS LIMITED WARRANTY GIVES YOU SPECIFIC LEGAL RIGHTS, AND YOU MAY ALSO HAVE OTHER RIGHTS WHICH VARY FROM STATE TO STATE IN THE U.S., PROVINCE TO PROVINCE IN CANADA AND FROM COUNTRY TO COUNTRY.

THIS LIMITED WARRANTY APPLIES ONLY TO PORTABLE AND BENCHTOP ELECTRIC TOOLS SOLD WITHIN THE UNITED STATES OF AMERICA, CANADA AND THE COMMONWEALTH OF PUERTO RICO. FOR WARRANTY COVERAGE WITHIN OTHER COUNTRIES, CONTACT YOUR LOCAL BOSCH DEALER OR IMPORTER.

GARANTIE LIMITÉE DES OUTILS ÉLECTRIQUES PORTATIFS ET D'ÉTABLI BOSCH

Robert Bosch Tool Corporation (le « vendeur ») garantit à l'acheteur initial seulement que tous les outils électriques portatifs et d'établi BOSCH seront exempts de vices de matériaux ou d'exécution pendant une période d'un an depuis la date d'achat. LA SEULE OBLIGATION DU VENDEUR ET LE SEUL RECOURS DE L'ACHETEUR sous la présente garantie limitée, et en autant que la loi le permette sous toute garantie ou condition implicite qui en découlerait, sera l'obligation de remplacer ou réparer gratuitement les pièces défectueuses matériellement ou comme fabrication, pourvu que lesdites défectosités ne soient pas attribuables à un usage abusif ou à quelque réparation bricolée par quelqu'un d'autre que le vendeur ou le personnel d'une station-service agréée. Pour présenter une réclamation en vertu de cette garantie limitée, vous devez renvoyer l'outil électrique portatif ou d'établi complet, port payé, à tout centre de service agréé ou centre de service usine. Veuillez consulter votre annuaire téléphonique pour les adresses.

LA PRÉSENTE GARANTIE NE S'APPLIQUE PAS AUX ACCESSOIRES TELS QUE LAMES DE SCIÉS CIRCULAIRES, MÊCHES DE PERCEUSES, FERS DE TROUPES, LAMES DE SCIÉS SAUTEUSES, COURROIES DE PONÇAGE, MEULES ET AUTRES ARTICLES DU GENRE.

TOUTE GARANTIE IMPLICITE SERA LIMITÉE COMME DURÉE À UN AN À COMPTER DE LA DATE D'ACHAT. CERTAINS ÉTATS AMÉRICAINS, CERTAINES PROVINCES CANADIENNES N'ADMETTANT PAS LE PRINCIPE DE LA LIMITATION DE LA DURÉE DES GARANTIES IMPLICITES, IL EST POSSIBLE QUE LES LIMITATIONS CI-DESSUS NE S'APPLIQUENT PAS À VOTRE CAS.

EN AUCUN CAS LE VENDEUR NE SAURAIT ÊTRE TENU POUR RESPONSABLE DES INCIDENTS OU DOMMAGES INDIRECTS (INCLUANT, MAIS NE SE LIMITANT PAS AUX PERTES DE PROFITS) CONSÉCUTIFS À LA VENTE OU L'USAGE DE CE PRODUIT. CERTAINS ÉTATS AMÉRICAINS ET CERTAINES PROVINCES CANADIENNES N'ADMETTANT PAS LE PRINCIPE DE LA LIMITATION NI L'EXCLUSION DES DOMMAGES INDIRECTS ET CONSÉQUENTIELS, IL EST POSSIBLE QUE LES LIMITATIONS OU EXCLUSIONS CI-DESSUS NE S'APPLIQUENT PAS À VOTRE CAS.

LA PRÉSENTE GARANTIE VOUS ACCORDE DES DROITS BIEN DÉTERMINÉS, Y COMPRIS POSSIBLEMENT CERTAINS DROITS VARIABLES DANS LES DIFFÉRENTS ÉTATS AMÉRICAINS, PROVINCES CANADIENNE ET DE PAYS À PAYS.

CETTE GARANTIE LIMITÉE NE S'APPLIQUE QU'ÀUX OUTILS ÉLECTRIQUES PORTATIFS ET D'ÉTABLI VENDUS AUX ÉTATS-UNIS D'AMÉRIQUE, AU CANADA ET AU COMMONWEALTH DE PORTO RICO. POUR COUVERTURE DE GARANTIE DANS LES AUTRES PAYS, CONTACTEZ VOTRE IMPORTATEUR OU REVENDEUR BOSCH LOCAL.

GARANTIA LIMITADA PARA HERRAMIENTAS MECANICAS PORTATILES Y PARA TABLERO DE BANCO BOSCH

Robert Bosch Tool Corporation ("el Vendedor") garantiza, únicamente al comprador original, que todas las herramientas mecánicas portátiles y para tablero de banco BOSCH estarán libres de defectos de material o de fabricación durante un periodo de un año a partir de la fecha de compra. LA ÚNICA OBLIGACION DEL VENDEADOR Y EL RECURSO EXCLUSIVO QUE USTED TIENE bajo esta Garantía Limitada y, hasta donde la ley lo permita, bajo cualquier garantía o condición implícita por ley, consistirá en la reparación o sustitución sin costo de las piezas que presenten defectos de material o de fabricación y que no hayan sido utilizadas incorrectamente, manejadas descuidadamente o reparadas incorrectamente por personas que no sean el Vendedor o una Estación de servicio autorizada. Para efectuar una reclamación bajo esta Garantía Limitada, usted debe devolver el producto, que consiste en la herramienta mecánica portátil o para tablero de banco completa, con el transporte pagado, a cualquier Centro de servicio de fábrica o Estación de servicio autorizada. Para Estaciones de servicio autorizadas de herramientas mecánicas BOSCH, por favor, consulte el directorio telefónico.

ESTA GARANTIA LIMITADA NO SE APLICA A ARTICULOS ACCESORIOS TALES COMO HOJAS PARA SIERRAS CIRCULARES, BROCAS PARA TALADROS, BROCAS PARA FRESADORAS, HOJAS PARA SIERRAS DE VAIVEN, CORREAS PARA LIJAR, RUEDAS DE AMOLAR Y OTROS ARTICULOS RELACIONADOS.

TODAS LAS GARANTIAS IMPLICITAS TENDRAN UNA DURACION LIMITADA A UN AÑO A PARTIR DE LA FECHA DE COMPRA. ALGUNOS ESTADOS DE LOS EE.UU. Y ALGUNAS PROVINCIAS CANADIENSES NO PERMITEN LIMITACIONES EN CUANTO A LA DURACION DE UNA GARANTIA IMPLICITA, POR LO QUE ES POSIBLE QUE LA LIMITACION ANTERIOR NO SEA APLICABLE EN EL CASO DE USTED.

EL VENDEADOR NO SERA RESPONSABLE EN NINGUN CASO DE NINGUN DAÑO INCIDENTAL O EMERGENTE (INCLUYENDO PERO NO LIMITADO A RESPONSABILIDAD POR PERDIDA DE BENEFICIOS) QUE SE PRODUZCA COMO CONSECUENCIA DE LA VENTA O UTILIZACION DE ESTE PRODUCTO. ALGUNOS ESTADOS DE LOS EE.UU. Y ALGUNAS PROVINCIAS CANADIENSES NO PERMITEN LA EXCLUSION O LIMITACION DE LOS DAÑOS INCIDENTALES O EMERGENTES, POR LO QUE ES POSIBLE QUE LA LIMITACION O EXCLUSION ANTERIOR NO SEA APLICABLE EN EL CASO DE USTED.

ESTA GARANTIA LIMITADA LE CONFIERE A USTED DERECHOS LEGALES ESPECIFICOS Y ES POSIBLE QUE USTED TAMBIEN TENGA OTROS DERECHOS QUE VARIAN DE ESTADO A ESTADO EN LOS EE.UU., DE PROVINCIA A PROVINCIA EN CANADA Y DE UN PAIS A OTRO.

ESTA GARANTIA LIMITADA SE APLICA SOLAMENTE A HERRAMIENTAS ELECTRICAS PORTATILES Y PARA TABLERO DE BANCO VENDIDAS EN LOS ESTADOS UNIDOS DE AMERICA, CANADA Y EL ESTADO LIBRE ASOCIADO DE PUERTO RICO. PARA COBERTURA DE GARANTIA EN OTROS PAISES, PONGASE EN CONTACTO CON SU DISTRIBUIDOR O IMPORTADOR LOCAL DE BOSCH.

© Robert Bosch Tool Corporation 1800 W. Central Road Mt. Prospect, IL 60056-2230

Exportado por: Robert Bosch Tool Corporation Mt. Prospect, IL 60056-2230, E.U.A.

Importado en México por: Robert Bosch, S.A. de C.V., Calle Robert Bosch No. 405, Zona Industrial, Toluca, Edo. de México, C.P. 50070, Tel. (722) 2792300